



6/8/10 INCH COMPACT TURNING CENTERS WITH Y-AXES

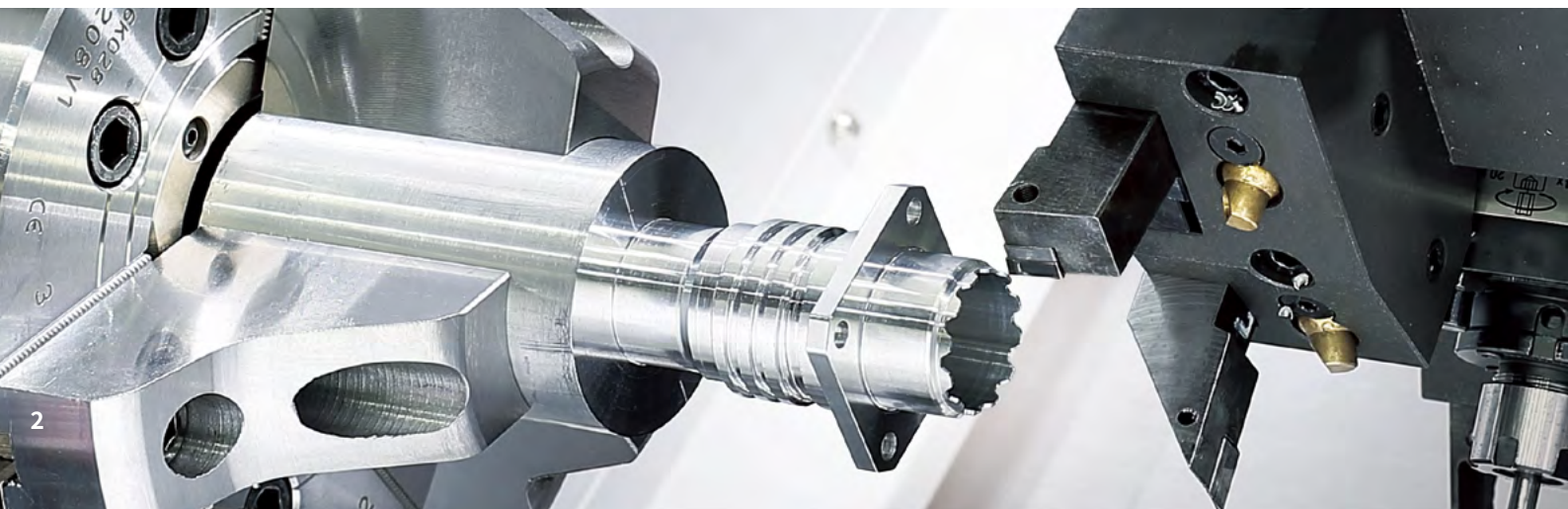
Lynx

2100LY / LSY • 2600Y/SY



Lynx 2100LY · 2600Y SERIES

The Lynx 2100LY is a new Y-axis model from the Lynx 2100 series and enables complex parts to be machined in a single setup. The Lynx 2600Y has a 380mm (max) machining diameter and has upgraded structural rigidity/accuracy to increase its machining capabilities and productivity. High precision off-center machining is easy to achieve and productivity gains, due to a significant reduction in cutting and non-cutting times when machining complex parts, can be realised.





MACHINE COMPLEX SHAPES IN ONE SETUP

The Y-axis 105mm(± 52.5 mm) and sub-spindle enable complex parts, with a range of different features and details, to be machined faster and easier.

HIGH RELIABILITY

The machines' excellent reliability is due to the adoption of wider support structures, more stable beds, low vibration/low noise producing spindles, servo-driven turrets, and a full slideway covers that prevent coolant leaks and chips from penetrating the machine.

IMPROVED USER CONVENIENCE

The new EZ work and hot keys enable the user to operate peripheral devices quickly and conveniently. User convenience has been further enhanced with grease type lubrication and CNC tailstocks

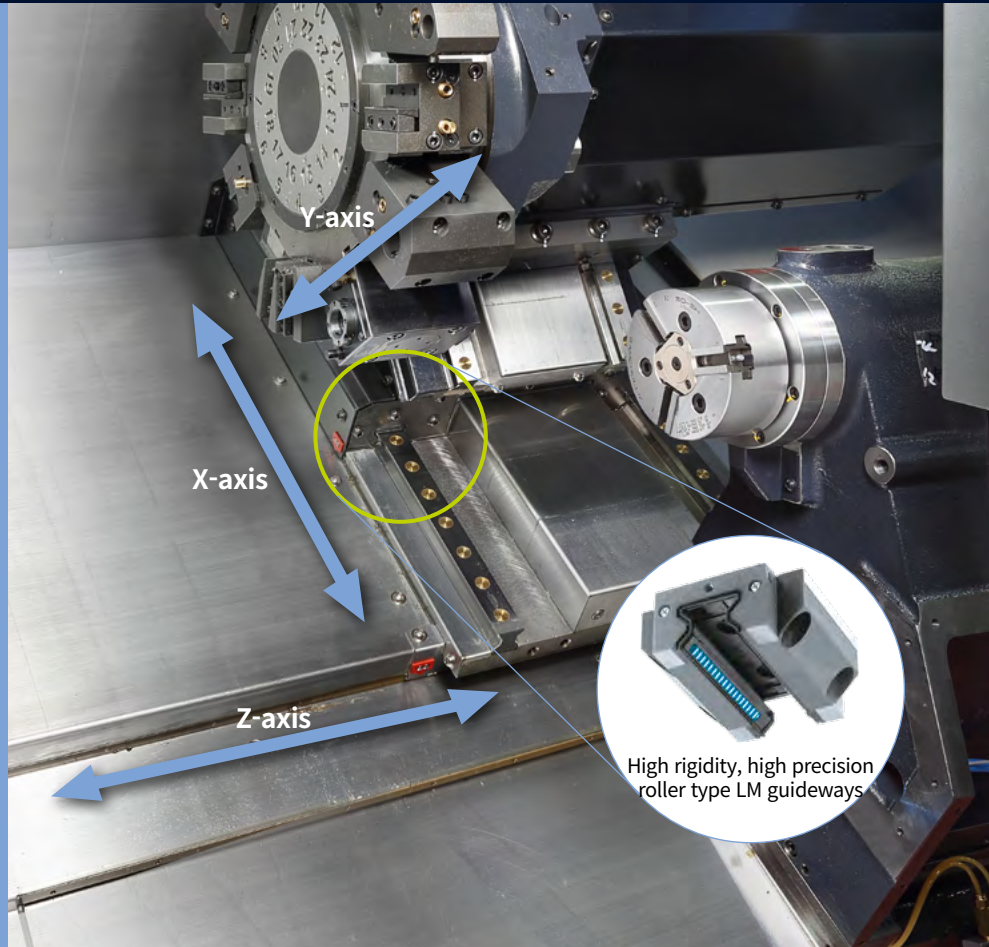
BASIC STRUCTURE

A stable, highly-rigid bed structure and the adoption of roller type LM guide on all axes improve durability and ensure high accuracy machining.

Feed axes configuration

High-productivity is achieved with a process-intensive structure comprising opposing spindles and upper and lower turrets.

Model	Chuck size	Travel distance (mm(inch))			Rapid traverse (m/min(ipm))		
		X axis	Y axis	Z axis	X axis	Y axis	Z axis
Lynx 2100LYA/LSYA	6 inch	205 (8.1)	105 (4.1)	560 (22.0)	30 (1.2)	10 (0.4)	36 (0.4)
Lynx 2100LYB/LSYB	8 inch						
Lynx 2600V/SY	10 inch	250 (9.8)	105 (4.1)	680 (26.8)	30 (1.2)	10 (0.4)	30 (1.2)



Multi-tasking functions

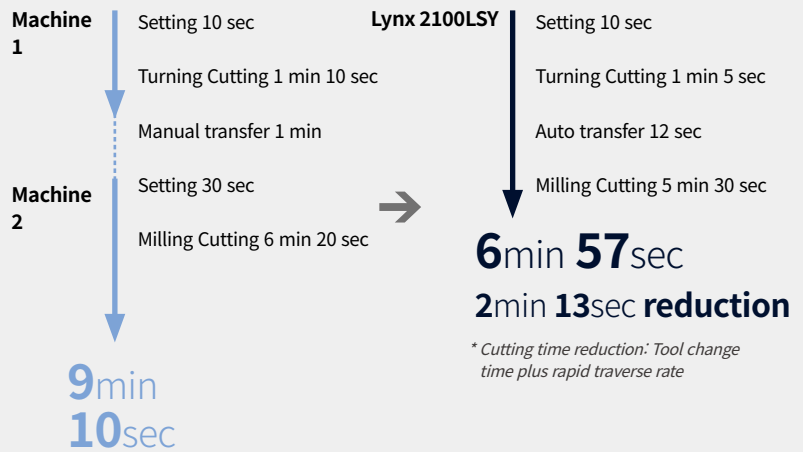
The combined functions of a spindle, a sub-spindle, a Y-axis and milling capabilities are greater than the combined machining capabilities and productivity generated by two, or more, 'general' machines.

Reduced production lead time

25 %

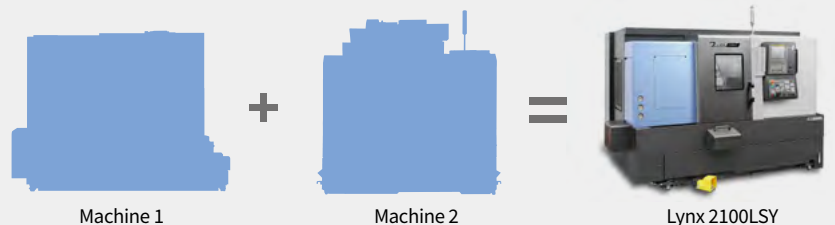


Workpiece : Machinery
Material : Aluminum (AL7075)
Workpiece size : Ø70 x 35 mm (Ø2.8 x 1.4 inch)
Cutting tool : 16 set



Lynx 2100 Series with Sub-spindle and Y-axis, enables 'One Hit' machining

Save time...reduce labor...achieve higher accuracies!
 2 set-up / 2 operators vs 1 set-up / 1 operator



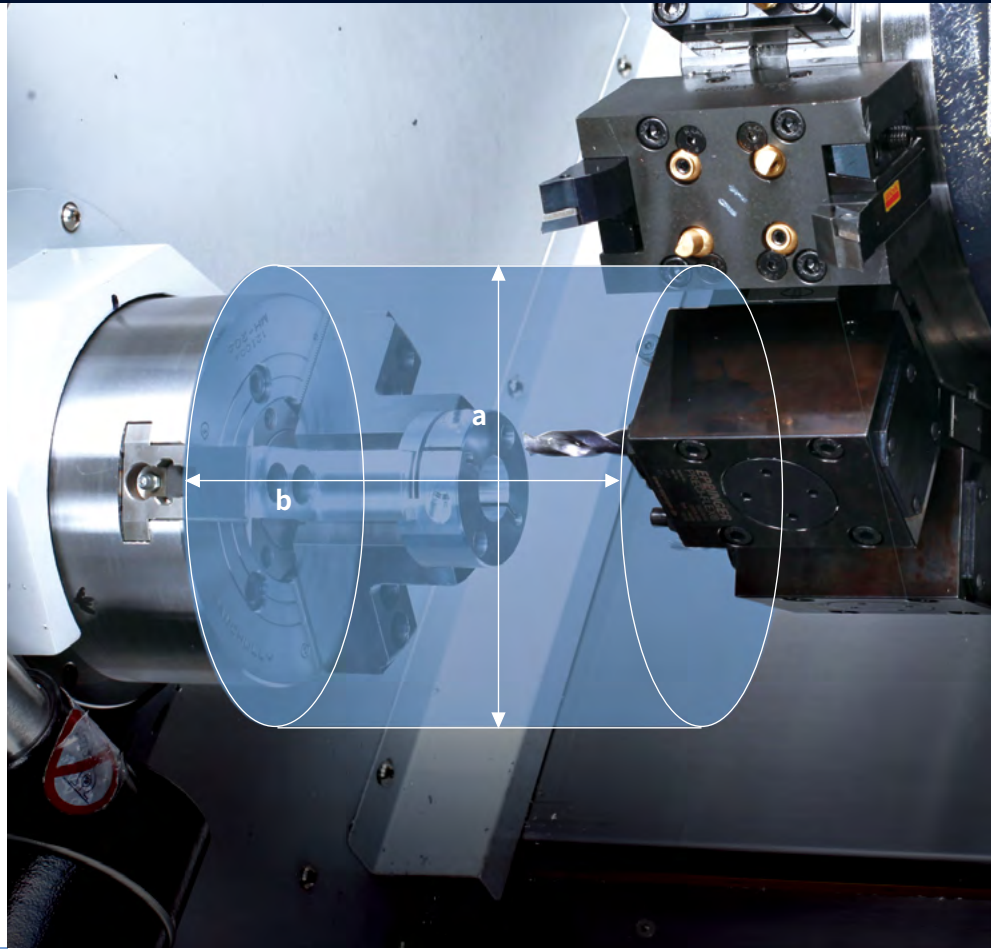
MACHINING AREA

The Lynx 2100LY and Lynx 2600Y series comprises 4 models with different chuck sizes and either sub-spindles or tailstocks.

Model	Max. Turning diameter (a)	Max. Turning length (b)	Sub spindle
Lynx 2100LYA / LYB	300 mm* (11.8 inch)	510 mm (20.1 inch)	X
Lynx 2100LSYA / LSYB			O
Lynx 2600Y	380 mm** (15.0 inch)	610 mm (24.0 inch)	X
Lynx 2600SY			O

* Max. Turning diameter is 236mm (9.3 inch) if optional 16 station turret is specified

** Max. Turning diameter is 292mm (11.5 inch) if optional 16 station turret is specified



High performance Y-axis for complex machining

The Y-axis enables the flexible use and application of the machine's rotary milling tools and the ability to machine complex parts (and features) to high accuracy.

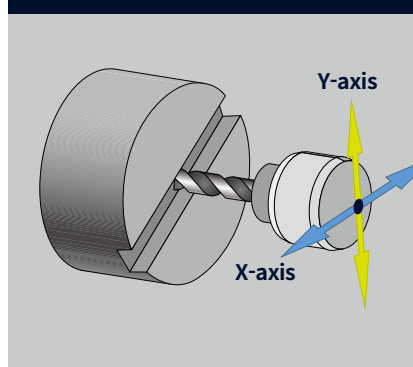
Y axis travel

105 (±52.5) mm
4.1 (±2.1) inch

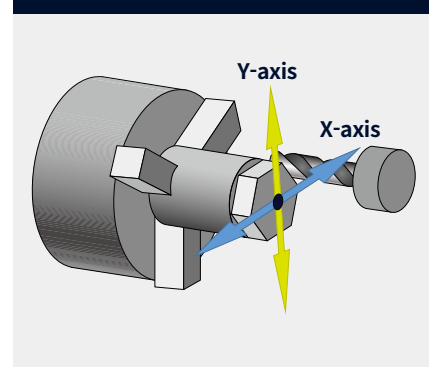
Y axis rapid traverse

10 m/min
393.7 ipm

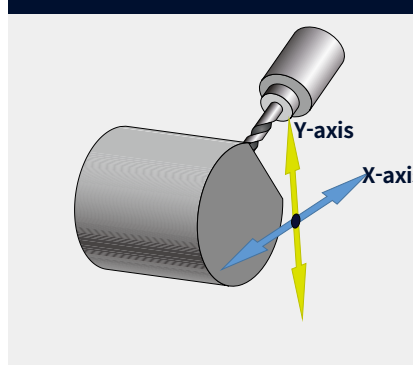
GROOVE FINISH CUTTING USING THE Y-AXIS



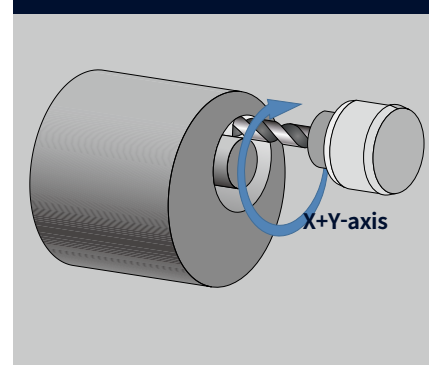
MULTI-FACE CUTTING



MILLING IN AN ECCENTRIC POSITION



Y & X-AXIS CIRCULAR INTERPOLATION



SPINDLE

The high power, high-torque spindle motor enables high-precision and heavy-duty cutting, and significant improvements in productivity.

Main spindle

Powerful spindle motor is capable of 0.001degree high-accuracy C-axis control and can provide a large bar capacity up to 81mm(3.2inch)

Max. spindle speed

Lynx 2100LYA/LSYA

6000 r/min

Spindle motor power

Lynx 2600Y/SY

18.5 kW

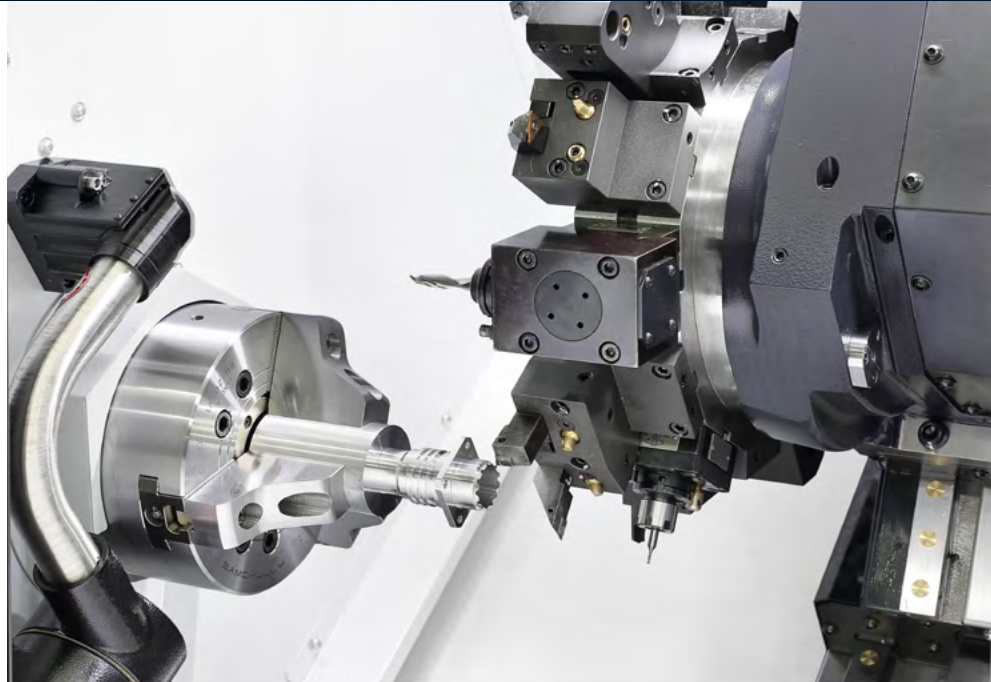
24.8 Hp

Bar working dia.

Lynx 2600Y/SY

81 mm

3.2 inch



Model	Max. speed r/min	Max. Power kW (Hp)	Max.Torque N·m (ft-lbs)	Bar Working Dia. mm (inch)
Lynx 2100LYA/LSYA	6000	15 (20.1)	127 (93.7)	65 (2.6)
Lynx 2100LYB/L SYB	4500	15 (20.1)	169 (124.7)	65 (2.6)
Lynx 2600Y/SY	3500	18.5 (24.8)	403 (297.4)	81 (3.2)

Sub-spindle

The sub-spindle function enables rear-side cutting in a single setup to be achieved, thereby improving productivity and efficiency.

Max. spindle speed

Lynx 2100LSYA/LSYB

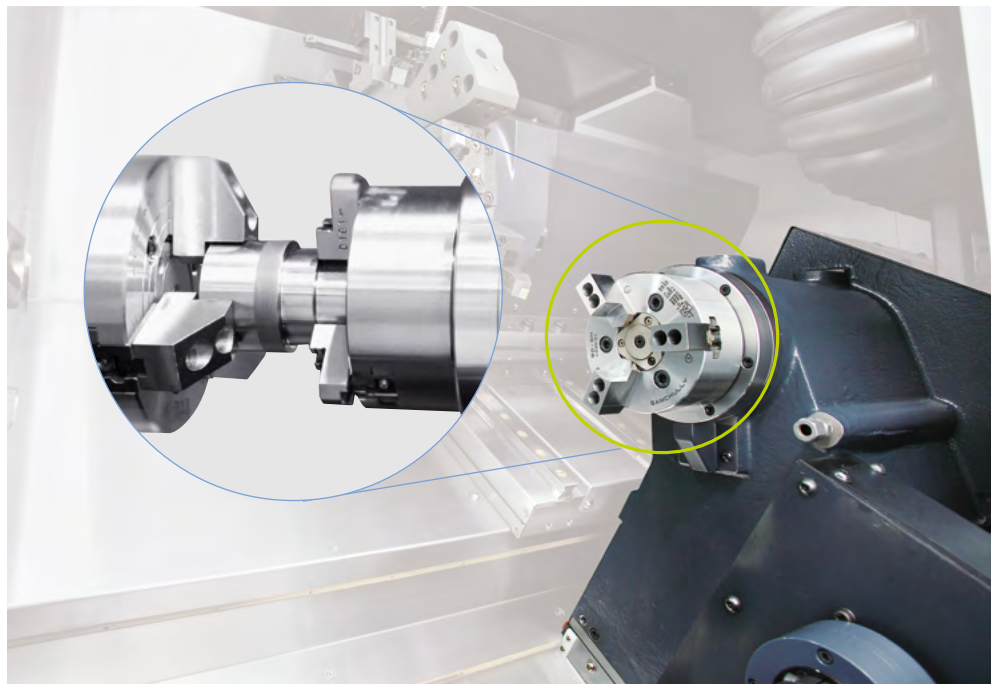
6000 r/min

Max. power

Lynx 2600Y/SY

7.5 / 5.5 kw

10.1/7.4 Hp



Models	Standard chuck size	Spindle speed r/min	Max.power kW (Hp)	Max torque N·m (ft-lbs)
Lynx 2100LSYA/LSYB	5 inch	6000	5.5/3.7 (7.4 / 5.0) (15min/Cont.)	47 (34.7)
Lynx 2600Y/SY	6 inch	4500	7.5/5.5/5.5 (10.1/7.4/7.4) S6 25%/S6 40%/Cont.)	84 (62.0)

TURRET

Servo driven turret indexing increases process reliability and the BMT type milling turret delivers improved rigidity.

Servo-driven turret

The high-torque servo motor controls a) rotational acceleration and deceleration of the turret b) clamping/unclamping operations. Its excellent dividing position ensures consistent high machining accuracies.

Lynx 2100LY

Number of tool stations

12 {24 position, 16ea OPTION}

Indexing time

0.11 s

Max. rotary tool speed

BMT45P

6000 r/min

{10000 r/min OPTION}

Lynx 2600Y

Number of tool stations

12 {24 position, 16ea OPTION}

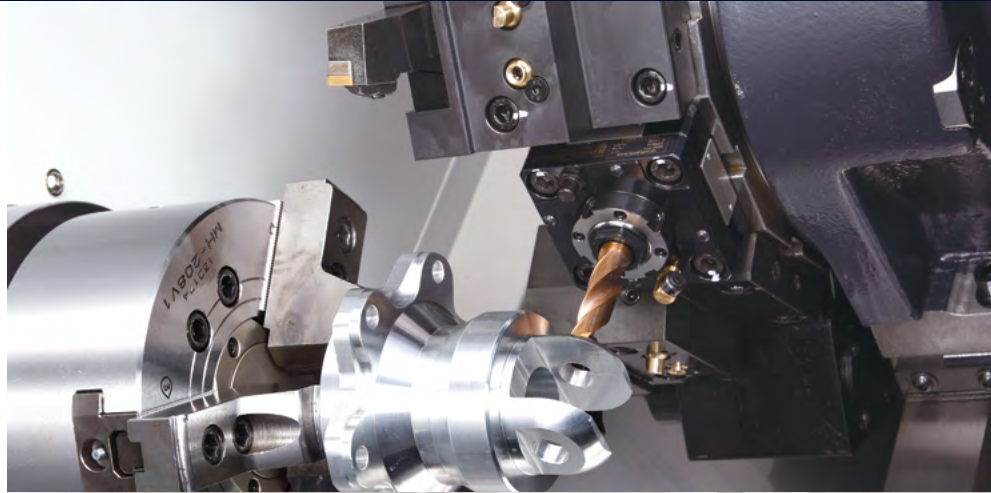
Indexing time

0.15 s

Max. rotary tool speed

BMT55P

5000 r/min



Cutting performance

OD turning (turning dia. 88 mm (3.5 inch))			
Cutting speed	Feedrate	Cutting depth	Chip removal rate
210 m/min 8268 ipm)	0.55 mm/rev (0.02 ipr)	4 mm (0.16 inch)	462 cm ³ /min (24.3 inch ³ /min)
U-drilling (2 axis)			
U drill dia.	Spindle speed	Cutting speed	Feedrate
Ø 63 mm (Ø 2.5 inch)	1011 r/min	200 m/min (7874 ipm)	0.15 mm/rev
Drilling			
U drill dia.	Milling spindle speed	Cutting speed	Feedrate
Ø 12 mm (Ø 0.5 inch)	3184 r/min	120 m/min (4724 ipm)	0.20 mm/rev
Endmill			
U drill dia.	Cutting speed	Feedrate	Cutting depth
Ø 12 mm (Ø 0.5 inch)	60 m/min (2362 ipm)	300 mm/rev (11.8 ipr)	14 mm (0.6 inch)
Tapping			
Tool	Milling spindle speed	Cutting speed	Feedrate
M14 X P1.75	387 r/min	17 m/min(669 ipm)	1.75 mm/rev



* The results, indicated in this catalogue are provided as examples only. They may not be obtained in all cases due to differences in cutting and environmental conditions.

TAILSTOCK

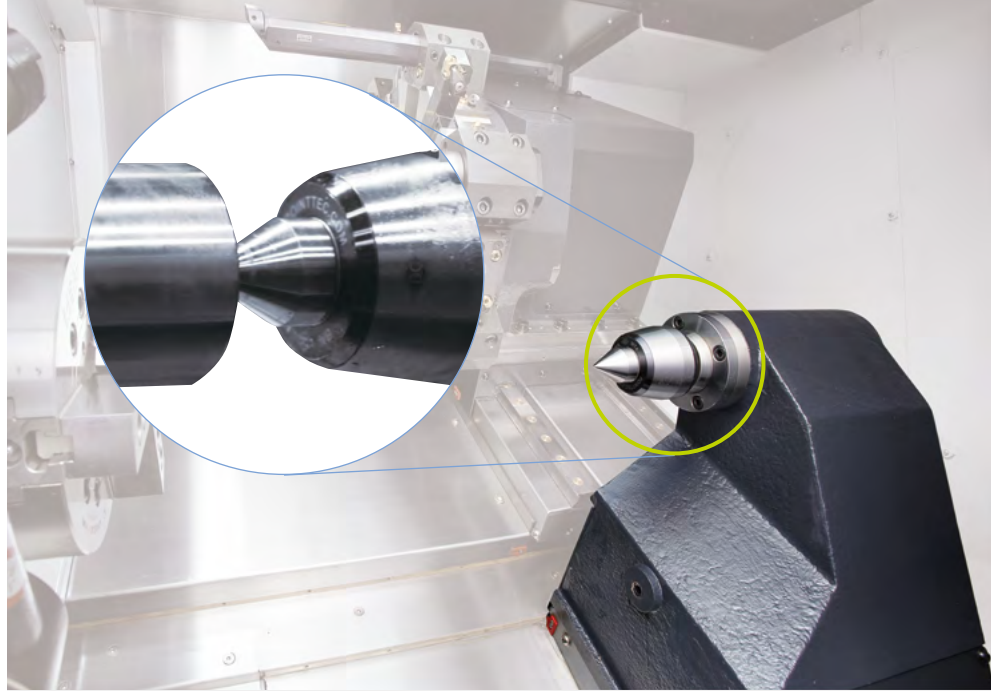
Adoption of the hydraulically actuated CNC tailstock (hydraulic type) enables tailstock positioning and work setting to be achieved using the operation panel. The dedicated screen reduces work setting times by about 50%.

CNC Tailstock (Hydraulic Type)

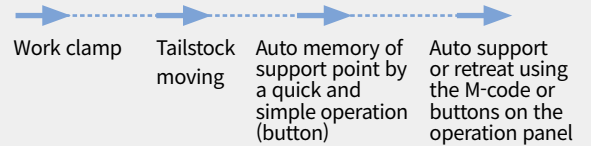
Lynx 2100LYA/LYB/2600Y (standard)

Setting time reduced by

50%↓



The EZ work System enables fast and easy tailstock positioning and control.



DN SOLUTIONS GANTRY LOADER

The DN Solutions Gantry Loader is compact and easily customizable stand-alone type of automation solution controlled by a motion controller.



Discription		Unit	Lynx 2100LY/LSY
Travel*	Z / Y-axis	mm (inch)	4422 / 1046 (174.1 / 41.2)
	Rapid traverse	Z / Y-axis	m/min (ipm)
Work Capacity		mm (inch)	Ø150 x 90 (5.9 x 3.5)
		kg (lb)	3 (6.6)
Number of Pallets (Work Stocker)		st	14

* The travel distance is in case of A3 type. For further information, please contact DN Solutions.

STANDARD | OPTIONAL SPECIFICATIONS

A range of options is available to suit individual requirements.

Description	Features	Lynx 2100LYA	Lynx 2100LYB	Lynx2100LSYA	Lynx 2100LSYB	Lynx 2600Y	Lynx 2600SY
chuck	6 inch	●	X	●	X	X	X
	8 inch	○	●	○	●	X	X
	10 inch	X	○	X	○	●	●
	12 inch	X	X	X	X	○	○
	No chuck	○	○	○	○	○	○
	5 inch (for sub spindle)	X	X	●	●	X	X
	6 inch (for sub spindle)	X	X	X	X	●	●
Jaw	Soft Jaw	●	●	●	●	●	●
	Hard Jaw	○	○	○	○	○	○
Chucking option	DUAL PRESSURE CHUCKING	○	○	○	○	○	○
	CHUCK CLAMP CONFIRMATION	●	●	●	●	●	●
Tailstock	CNC Tailstock (Hydraulic type)	●	●	X	X	●	X
Coolant pump	1.5 bar	●	●	●	●	●	●
	Increase power (4.5/7/10/14.5/20 bar)	○	○	○	○	○	○
Coolant options	Chuck coolant	○	○	○	○	○	○
	TSC for sub spindle	X	X	○	○	X	○
	Coolant chiller	○	○	○	○	○	○
	Oil skimmer	○	○	○	○	○	○
	Coolant pressure switch	○	○	○	○	○	○
	Coolant level switch : Sensing level - Empty / Low / Enough / Full	●	●	●	●	○	○
	Coolant gun	○	○	○	○	○	○
Chip disposal options	Side type chip conveyor	○	○	○	○	○	○
	Rear type chip conveyor	○	○	○	○	○	○
	Chip bucket	○	○	○	○	○	○
	Air blower	○	○	○	○	○	○
	Mist collector interface	○	○	○	○	○	○
	Integrated mist collector	○	○	○	○	○	○
Measuring & automation	Tool setter (Manual / Auto)	○	○	○	○	○	○
	Part catcher with parts box	○	○	○	○	○	○
	Part catcher with parts conveyor	○	○	○	○	○	○
	Workpiece ejector	X	X	○	○	X	○
	Auto door	○	○	○	○	○	○
	Bar feeder interface	○	○	○	○	○	○
	Robot interface	○	○	○	○	○	○
	Axis-tool number display	○	○	○	○	○	○
Others	Tool load monitoring system	○	○	○	○	○	○
	Linear scale	○	○	○	○	○	○
	signal tower	○	○	○	○	○	○
	Air gun	○	○	○	○	○	○
	Automation power off	○	○	○	○	○	○
	Quick change tooling(CAPTO)	○	○	○	○	○	○
	Sketch-turn S/W	○	○	○	○	○	○
	AUTOMATIC TOP DOOR	○	○	X	X	X	X
Customized Special Option	SHOWER COOLANT	○	○	○	○	○	○
	DUAL PRESSURE COOLANT FOR MAIN TURRET	○	○	○	○	○	○
	AUTO. WORK MEASUREMENT_OLP40_RENISHAW	○	○	○	○	○	○
	TSC FOR MAIN/LEFT SPINDLE_PREPARATION	○	○	○	○	○	○
	MILLING TOOL HOLDER_UNIVERSAL	○	○	○	○	○	○

Please contact your DN Solutions representative for detailed machine information.

● Standard ○ Optional X N/A



There is a high risk of fire when using non-water-soluble cutting fluids, processing flammable materials, neglecting the controlled and careful use of coolants and modifying the machine without the consent of the manufacturer. Always check the SAFETY GUIDELINES carefully before using the machine.

PERIPHERAL EQUIPMENT

Chip conveyor OPTION



Long

Short



Needle

Sludge

Hinged belt type*

Most common type of chip conveyor. Appropriate for steel materials generating chips over 30mm.

Drum filter type**

Chip conveyor with a magnet. Appropriate for machining cast iron and the generation of fine chips.

Chip conveyor type	Material	Carbon steel)			Cast iron		Aluminium		
		Long	Short	Needle	Short	Sludge	Long	Short	Needle
Hinged belt type*		○	△	X	△	X	○	△	X
Scraper type	Normal	X	○	△	○	△	X	△	X
	Magnetic	X	○	○	○	○	-	-	-
Drum filter type**	Hinged type	○	△	X	△	X	○	△	X
	Scraper	X	○	△	○	△	X	○	△

○ : Suitable, △ : Possible, X : Not suitable

Quick change CAPTO OPTION

The Quick Change Tool system simplifies tool change operation. Recommended for users who need to change tools frequently or reduce the set-up time.



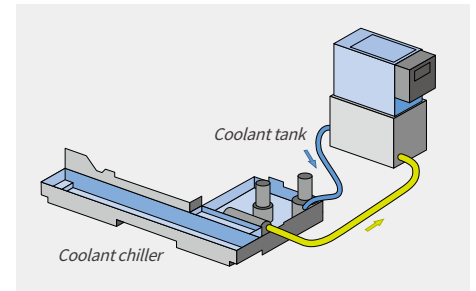
Greaselubrication system

The standard grease lubrication system eliminates the need for an oil skimmer and reduces lubrication costs by about 80% compared to oil lubrication.



Coolant chiller (recommended) OPTION

A coolant chiller is recommended to help prevent temperature rises and to reduce thermal deformation when using a water-insoluble coolant or high-pressure coolant system (i.e., power over 1.5kW).



Axis-tool number display OPTION

Axis-tool 'Number Display' is located inside the machine and it displays real time information to the operator.



Easy-to-clean coolant tank

The coolant tank can be isolated without removing the chip conveyor, significantly enhancing the operator's convenience and overall efficiency.



Tool setter (Manual / Auto) (Tool length measurement device) OPTION

The tool setter facilitates the setting of cutting tools, and can be used to automatically detect and compensate for worn tools.



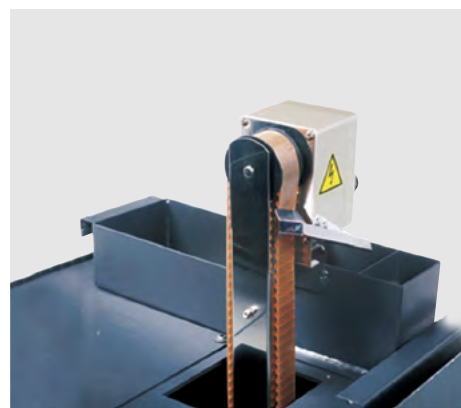
Part catcher OPTION

The Part Catcher automatically catches finished parts and transfers them securely to downstream processes.



Oil skimmer OPTION

As the Lynx 2100 Series uses a grease type lubricant, the coolant rarely mixes with oil. This optional oil skimmer helps to maintain the exceptional service life of the coolant.



DN SOLUTIONS FANUC i PLUS

DN Solutions Fanuc i Plus maximizes customer productivity and convenience.

15" Screen + New OP

DN Solutions Fanuc i Plus' operation panel enhances operating convenience by incorporating common-design buttons and layout. It features a Qwerty keyboard for fast and easy data input and operation.

DN Solutions Fanuc i Plus

- 15-inch color display
- Intuitive and user-friendly design

USB and PCMCIA card QWERTY keyboard

- EZ-Guide i standard
- Ergonomic operator panel
- 2MB Memory
- Hot keys



iHMI touchscreen OPTION

iHMI provides an intuitive interface that uses a touchscreen for quick and easy operation.

Range of applications

Providing various applications related to planning, machining, improvement and utility, for customer convenience.

SKETCH-TURN OPTION

DN Solutions Conversational programming software for PC

- Easy to learn for beginners
- Time savings in programming
- Reduce processing cycle time



NUMERIC CONTROL SPECIFICATIONS

FANUC

Division	Item	Specifications	Y	SY
			DN Solutions Fanuc i Plus	DN Solutions Fanuc i Plus
Controlled axis	Controlled axes		4(X,Z,C,Y)	6(X,Z,C1,Y,C2,B)
	Simultaneously controlled axes		4 axes	4 axes
Data input/output	Fast data server		○	○
	Memory card input/output		●	●
	USB memory input/output		●	●
	Larger capacity memory_2GB	Note *2) Available Option only with 15" Touch LCD (iHMI Only)	○ *2)	○ *2)
Interface function	Embedded Ethernet		●	●
	Fast Ethernet		○	○
	Enhanced Embedded Ethernet function		●	●
Operation	DNC operation	Included in RS232C interface.	●	●
	DNC operation with memory card		●	●
Program input	Workpiece coordinate system	G52 - G59	●	●
Feed function	AI contour control I	G5.1 Q_, 40 Blocks	●	●
	AI contour control II	G5.1 Q_, 200 Blocks	○	○
Operation Guidance Function	EZ Guidei (Conversational Programming Solution)		●	●
	iHMI with Machining Cycle	Note *1) Only with 15" Touch LCD standard	○ *1)	○ *1)
	EZ Operation package		●	●
Setting and display	CNC screen dual display function		●	●
Network	FANUC MTConnect		✳	✳
	FANUC OPC UA		✳	✳
Others	Display unit	15" color LCD	●	●
		15" color LCD with Touch Panel	○	○
	Part program storage size & Number of registerable programs	640M(256KB)_500 programs 5120M(2MB)_1000 programs	X ●	X ●

Network: FANUC MTConnect and FANUC OPC UA available.

● Standard ○ Optional X N/A ✳ Available

CONVENIENT OPERATION

SIEMENS S828D

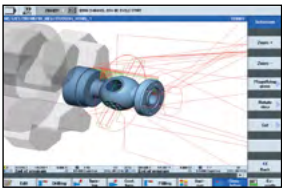
15.inch display + New OP

Siemens 828D' operation panel enhances operating convenience by incorporating common-design buttons and layout. It features a Qwerty keyboard for fast and easy data input and operation.

- 15.6 inch display
- USB (standard)
- QWERTY keyboard

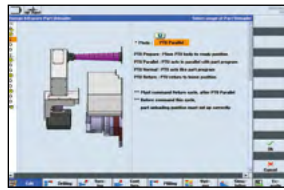


Convenient conversational functionality



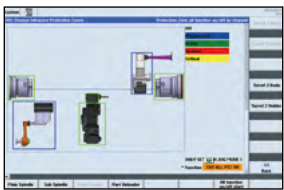
Cutting and operation support function

This function shows a cutting and tool path simulation in real-time.



Shop-turn mode
[various]
[attachments]

The automation elements (parts catcher, parts unloader etc.), can be easily controlled via interactive screens.



[Custom]
[Protection zones]

Operation safety function

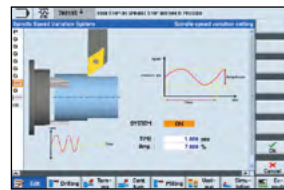
Protection Zone Synchronized Actions checks the interference between the turret and the spindle to prevent collisions caused by operator error.



[offset]
[operating parameter]
[TC service]

Maintenance and service convenience function

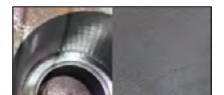
Maintenance and service of major equipment and peripheral devices, including the timer and parts counter settings can be easily undertaken.



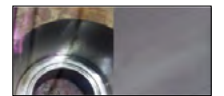
[various]
[attachment]
[DSSV]

Machining accuracy improvement

The NC controls the spindle speed at an optimal level for precision threading and turning, making it possible to automatically improve surface finishes.



Before applying the function



After applying the function

NUMERIC CONTROL SPECIFICATIONS

SIEMENS

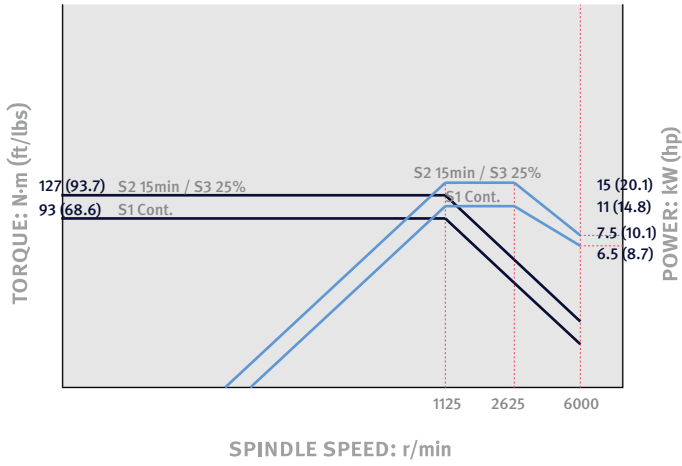
Division	Item	Specifications	2-Axis S828D	M S828D	S S828D	MS S828D	Y S828D	SY S828D
Controlled axis	Controlled axes		X,Z,SP	X,Z,C,R	X,Z,C,C2,B	X,Z,C,R,C2,B	X,Z,C,R,Y	X,Z,C,R,C2,Y,B
	Simultaneously controlled axes		4 axes	4 axes	4 axes	4 axes	4 axes	4 axes
Data input/output	Memory card input/output		X	X	X	X	X	X
	USB memory input/output		●	●	●	●	●	●
Interface function	Ethernet	(X130)	○	○	○	○	○	○
	On network drive	(without EES option, Extcall)	○	○	○	○	○	○
Operation	On USB storage medium, e.g. memory stick	(without EES option, Extcall)	●	●	●	●	●	●
	Workpiece coordinate system	G54 - G59, G507 - G599	●	●	●	●	●	●
Feed function	Advanced surface		X	X	X	X	X	X
	Top surface		X	X	X	X	X	X
	Look ahead number of block		1	1	1	1	1	1
Programming & Editing function	3D simulation, finished part		●	●	●	●	●	●
	Simultaneous recording		●	●	●	●	●	●
	DXF Reader for PC integrated in SINUMERIK Operate		○	○	○	○	○	○
Operation Guidance Function	Shopturn		●	●	●	●	●	●
	EZ Operation package		●	●	●	●	●	●
Setting and display	Operation via a VNC viewer		●	●	●	●	●	●
	Network		●	●	●	●	●	●
Others	MTConnect		⊕	⊕	⊕	⊕	⊕	⊕
	OPCUA		○	○	○	○	○	○
	Display unit	15.6" color display with touch screen	●	●	●	●	●	●
		CNC user memory 10 MB	●	●	●	●	●	●
		CNC user memory 100 MB	○	○	○	○	○	○
		CNC user memory 6GB	X	X	X	X	X	X
		CNC user memory 40GB (with PCU or IPC)	X	X	X	X	X	X
	Part program storage size							
	CNC user memory without limit(Execution from external storage devices)(EES / Using by USB or Network)	○	○	○	○	○	○	
	HMI user memory for CNC part program 6GB	X	X	X	X	X	X	

● Standard ○ Optional X N/A ⊕ Available

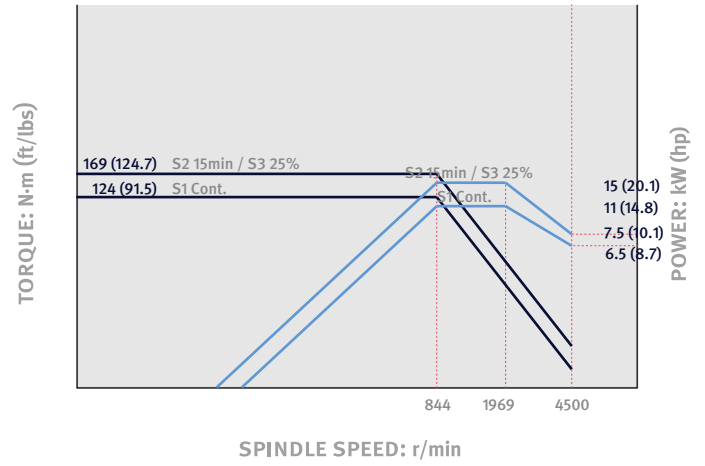
POWER | TORQUE

FANUC

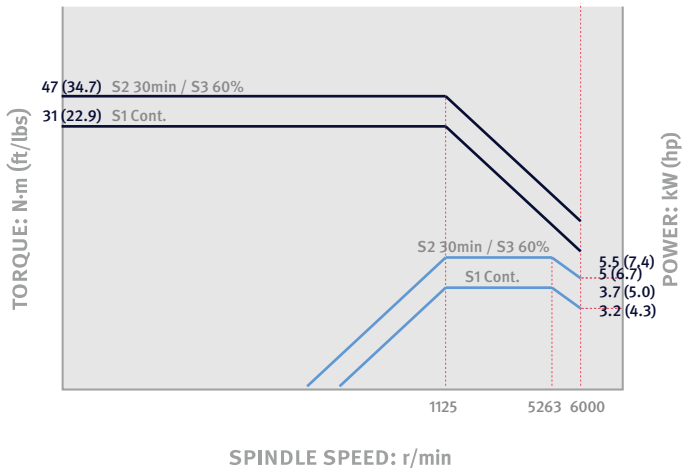
Main Spindle_ Lynx 2100LYA / LSYA



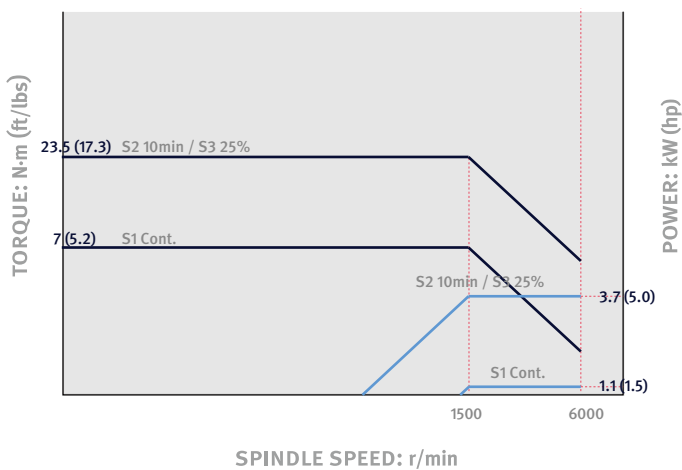
Main Spindle_ Lynx 2100LYB / LSYB



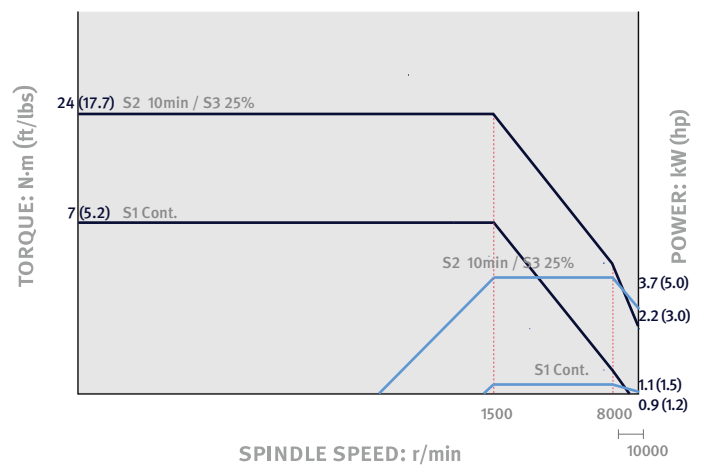
Sub-Spindle_ Lynx 2100LSYA / LSYB



Rotary Tool_ Lynx 2100LY / LSY



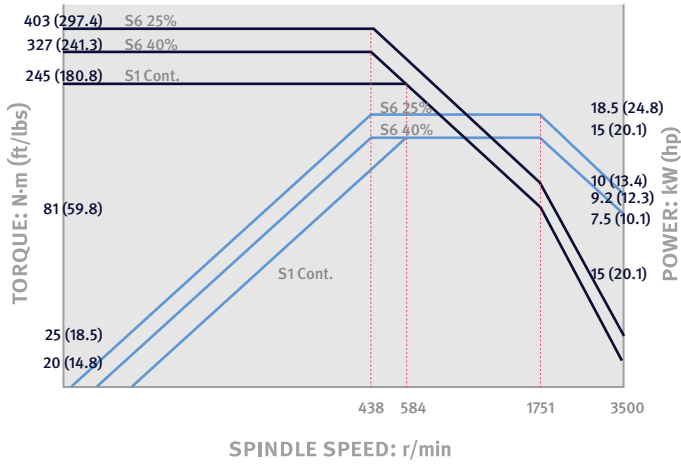
Rotary Tool_ Lynx 2100LY / LSY OPTION



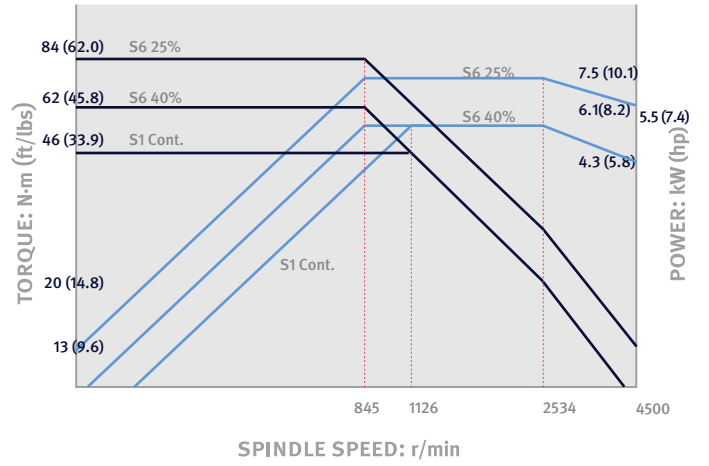
POWER | TORQUE

FANUC

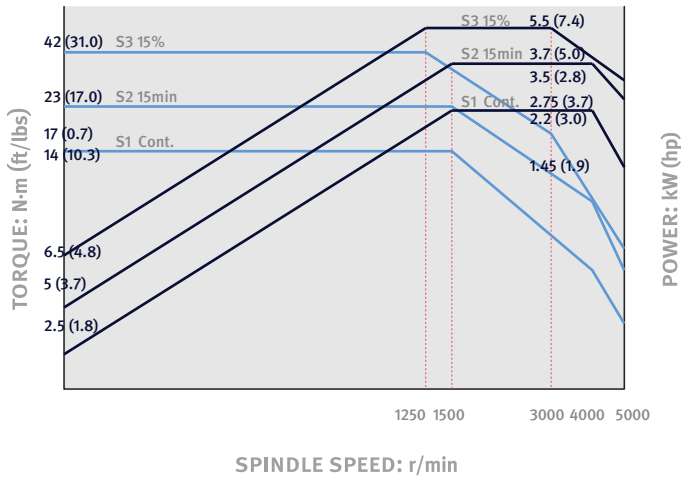
Main Spindle_ Lynx 2600Y/SY



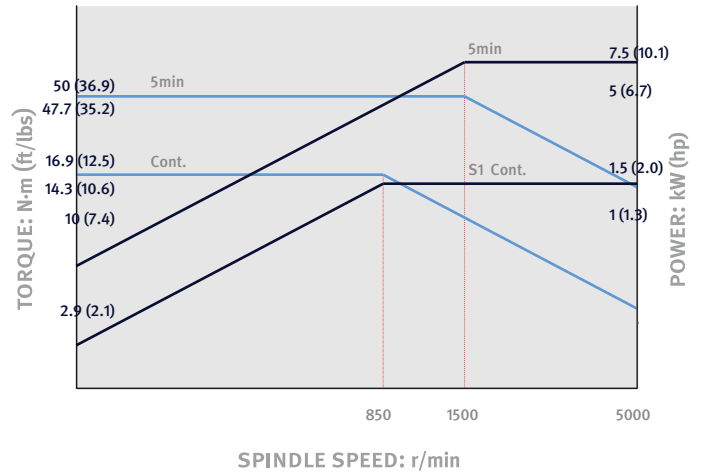
Sub-Spindle_ Lynx 2600Y/SY



Rotary Tool_ Lynx 2600Y/SY 12st., 12st.(24st. positions)



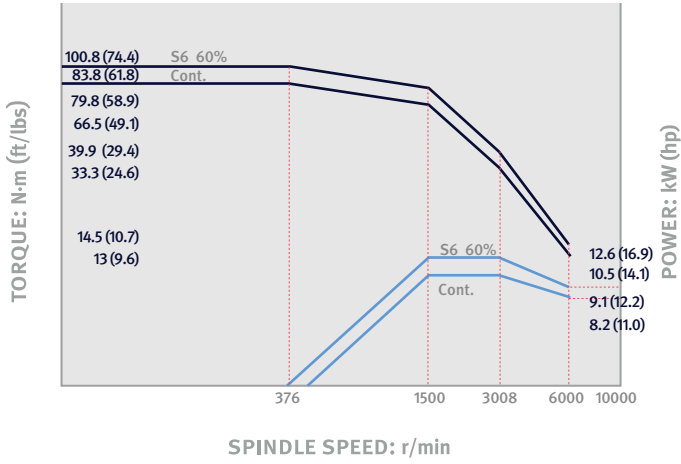
Rotary Tool_ Lynx 2600Y/SY 16st. OPTION



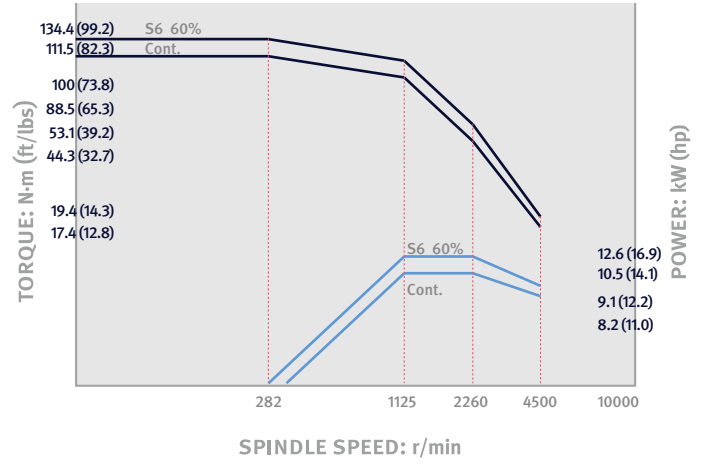
POWER | TORQUE

SIEMENS

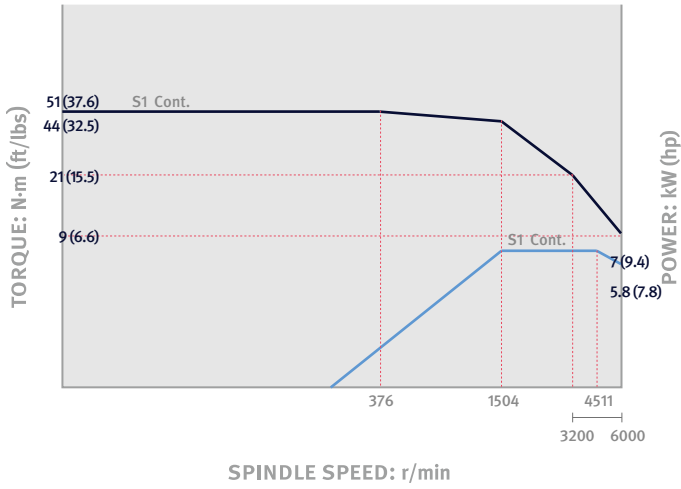
Main Spindle_ Lynx 2100LYA / LSYA



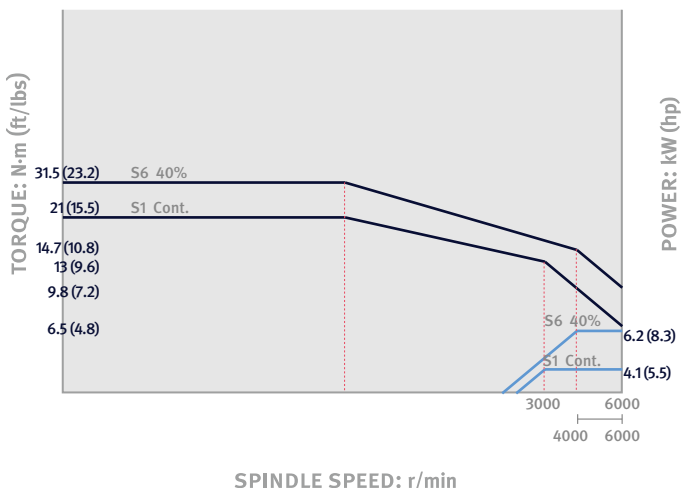
Main Spindle_ Lynx 2100LYB / LSYB



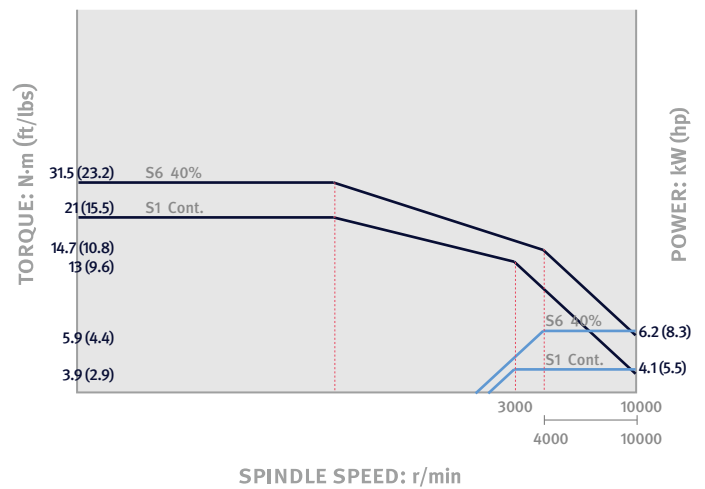
Sub-Spindle_ Lynx 2100LSYA / LSYB



Rotary Tool_ Lynx 2100LY / LSY

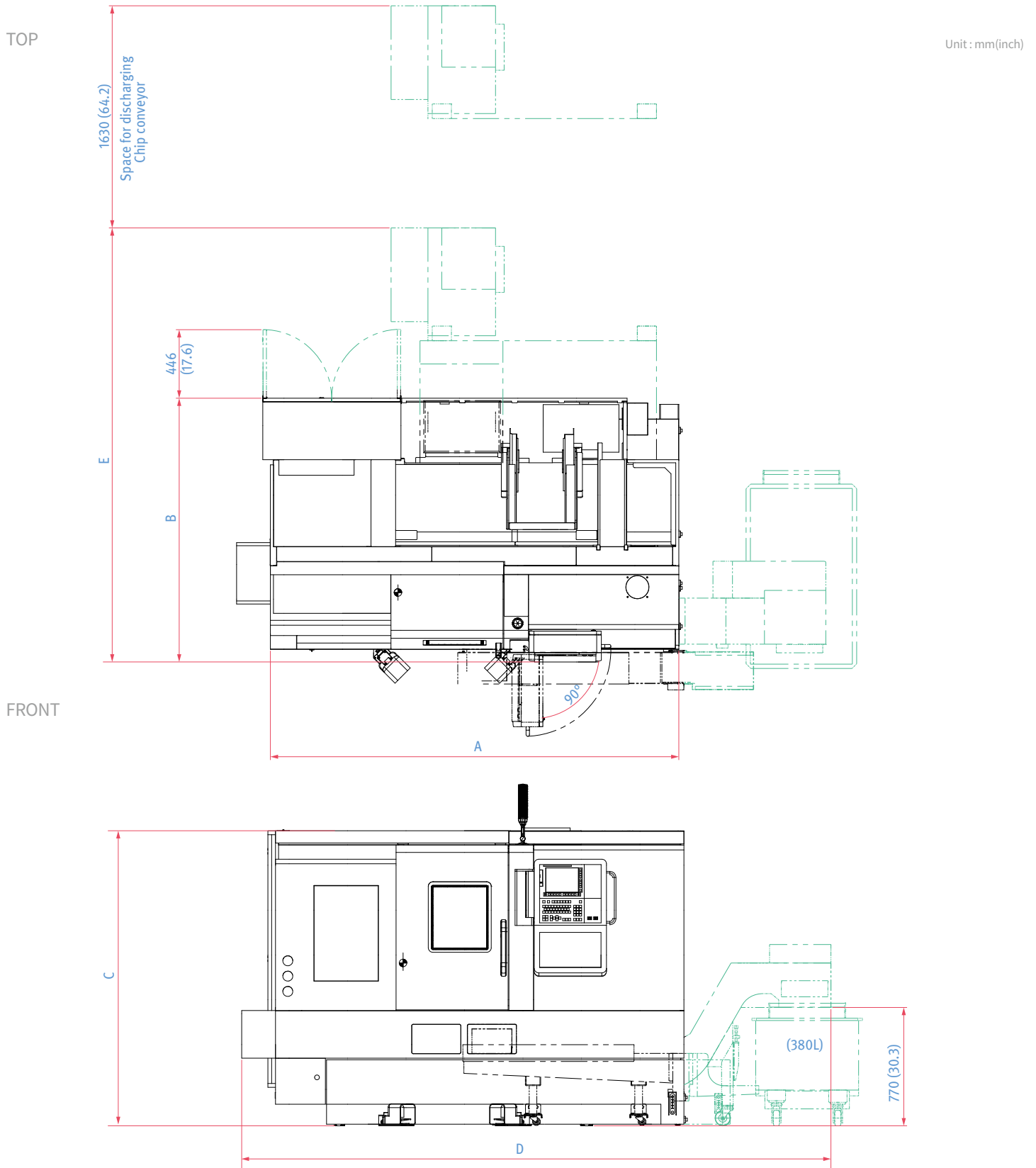


Rotary Tool_ Lynx 2100LY / LSY OPTION



EXTERNAL DIMENSIONS

Lynx 2100LY series



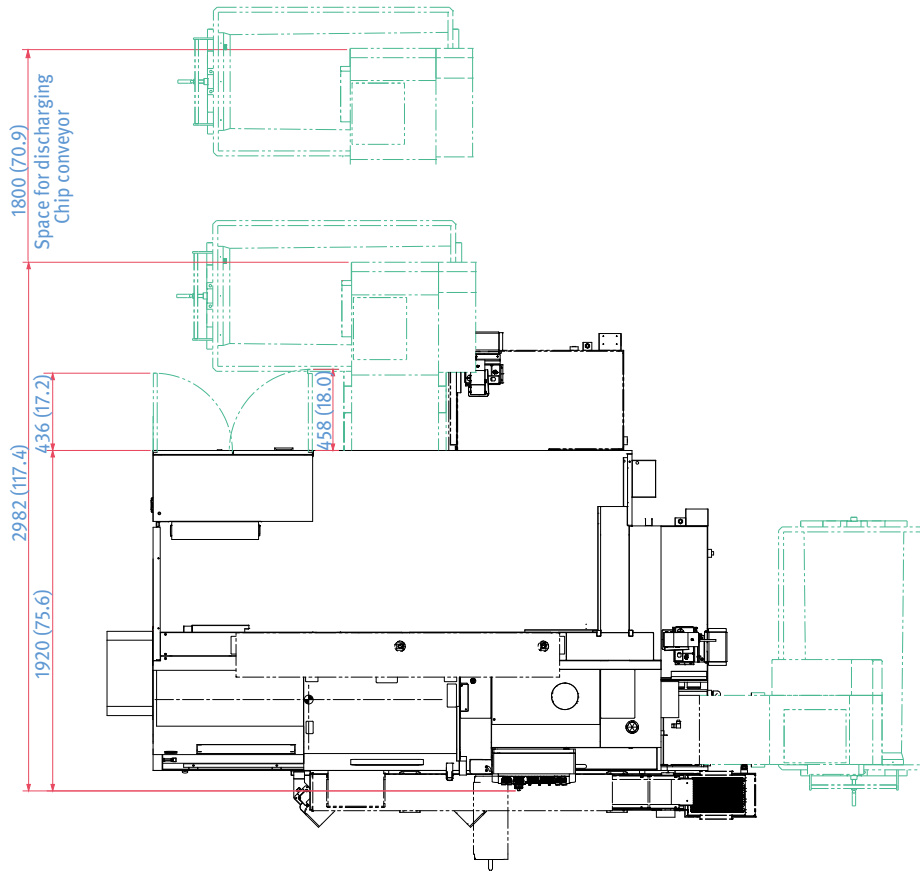
Model	A	B	C	D	E
Lynx 2100LYA / LSYA	2880 (113.4)	1711 (67.4)	1921 (75.6)	3838 (151.1)	2820 (111.0)
Lynx 2100LYB / LSYB	2880 (113.4)	1711 (67.4)	1921 (75.6)	3838 (151.1)	2820 (111.0)

EXTERNAL DIMENSIONS

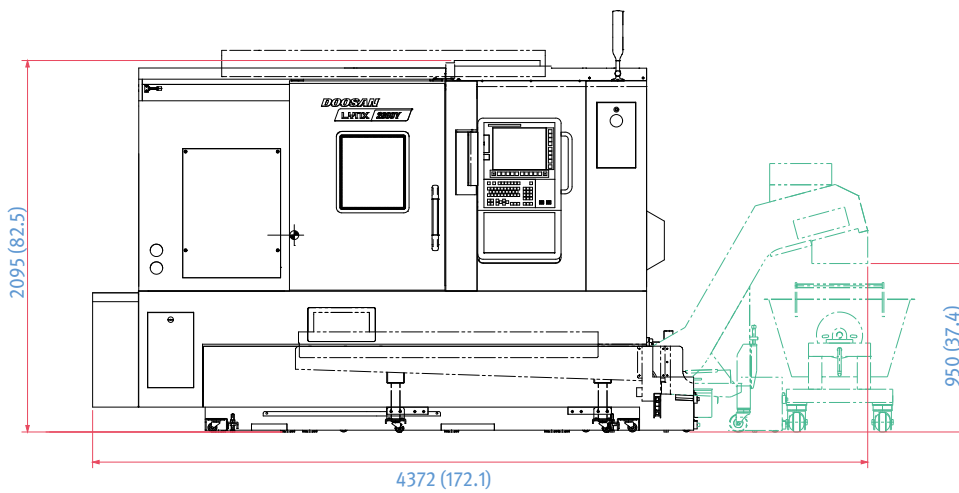
Lynx 2600Y series

TOP

Unit : mm(inch)



FRONT

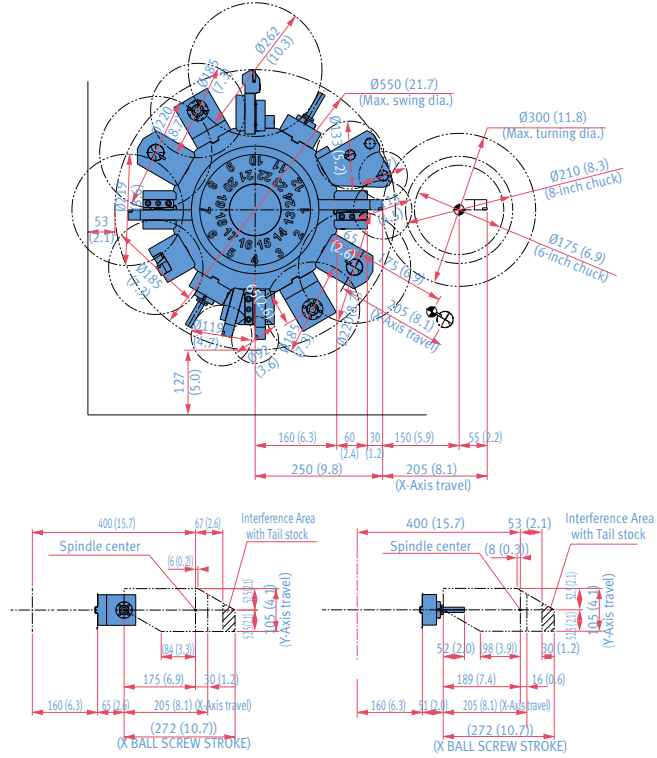


* Some peripheral equipment can be placed in other places.

TOOL INTERFACE

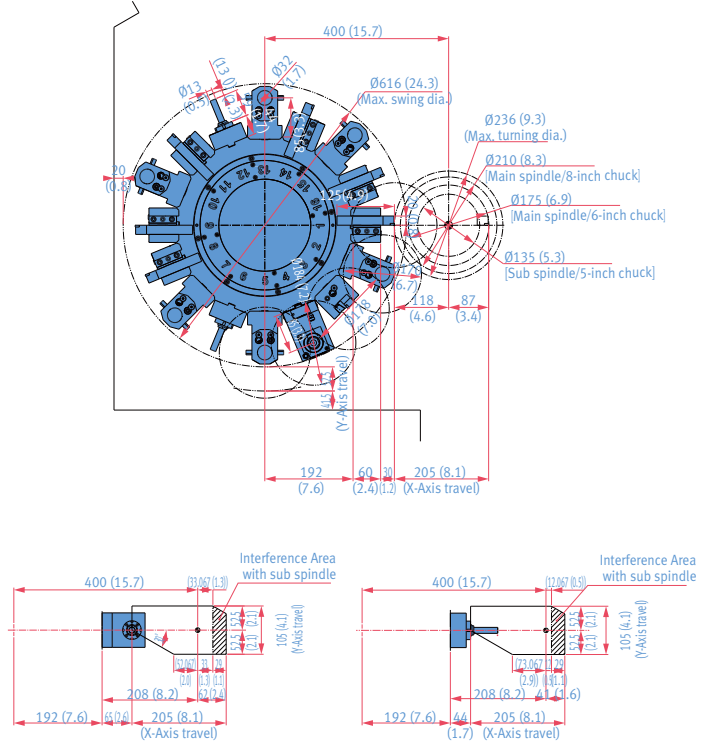
Lynx 2100LY

12 station (24position)



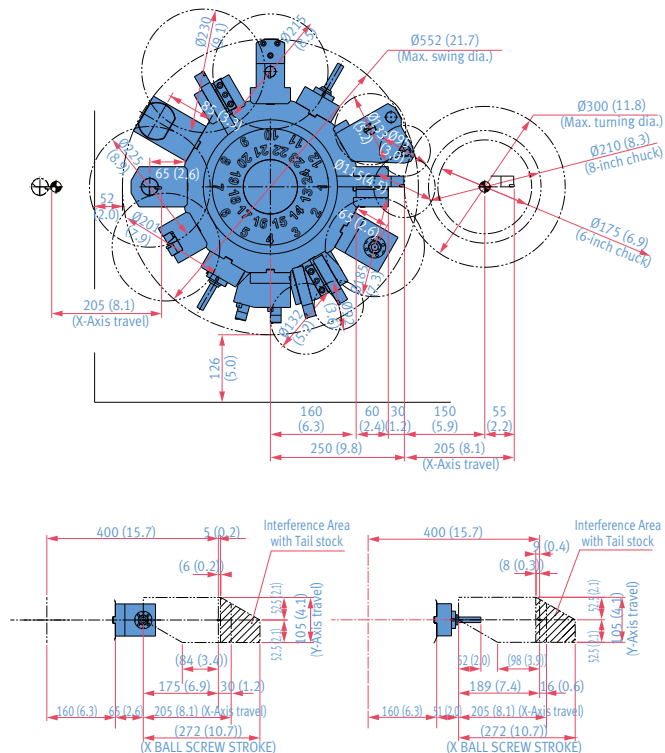
16 station

Unit: mm(inch)

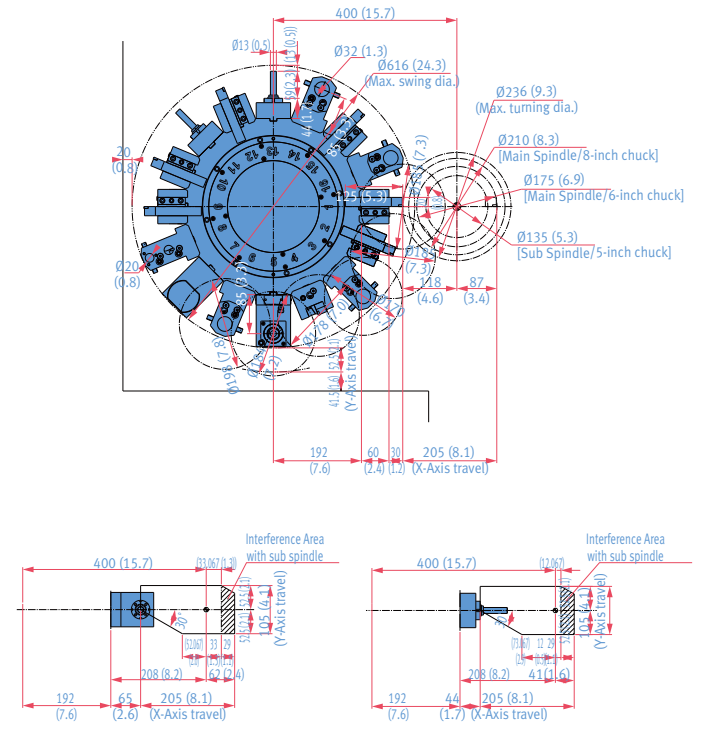


Lynx 2100LSY

12 station (24position)



16 station

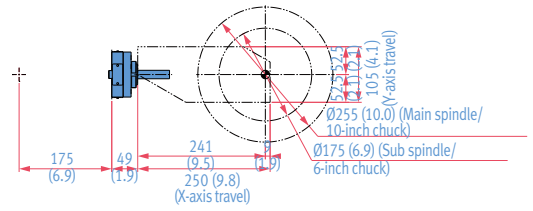
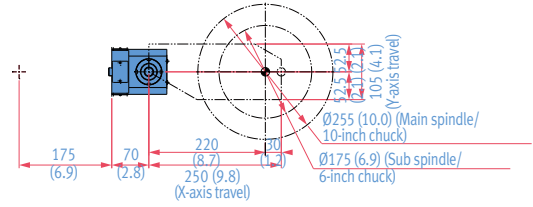
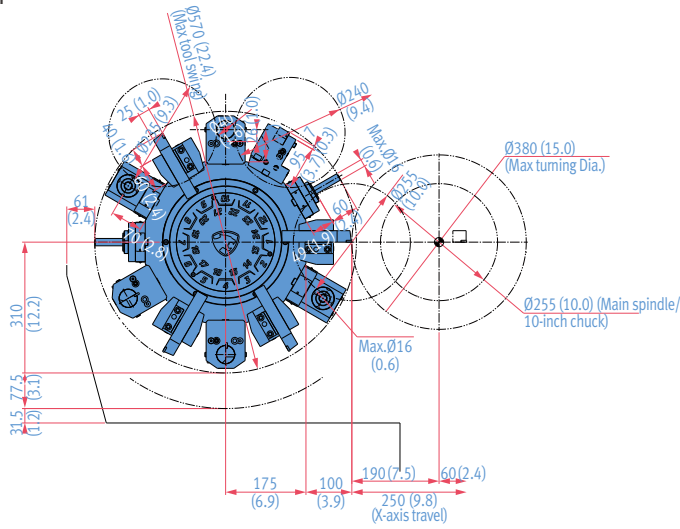


TOOL INTERFACE

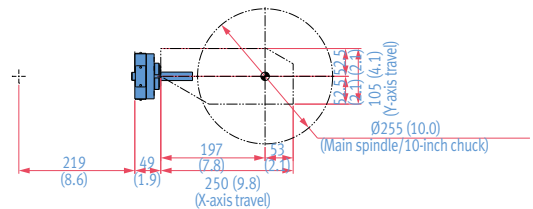
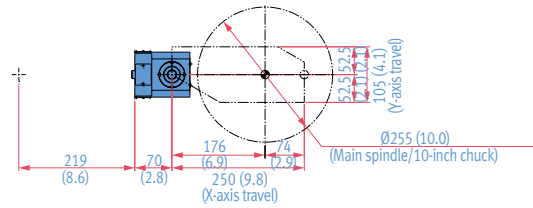
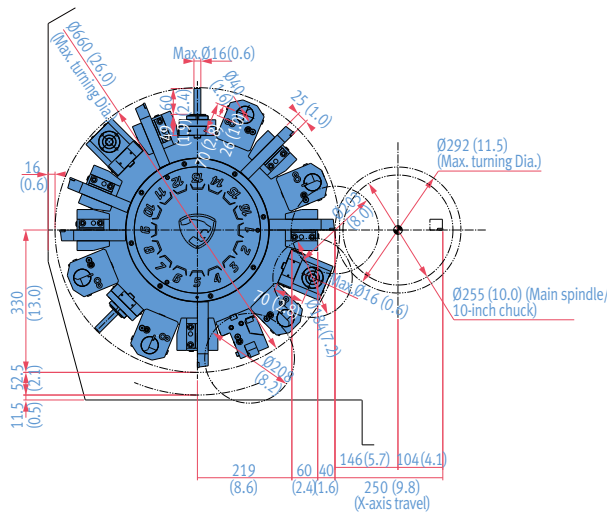
Lynx 2600Y

12 station

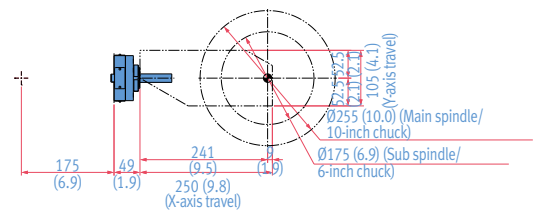
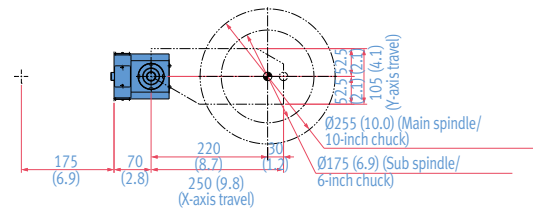
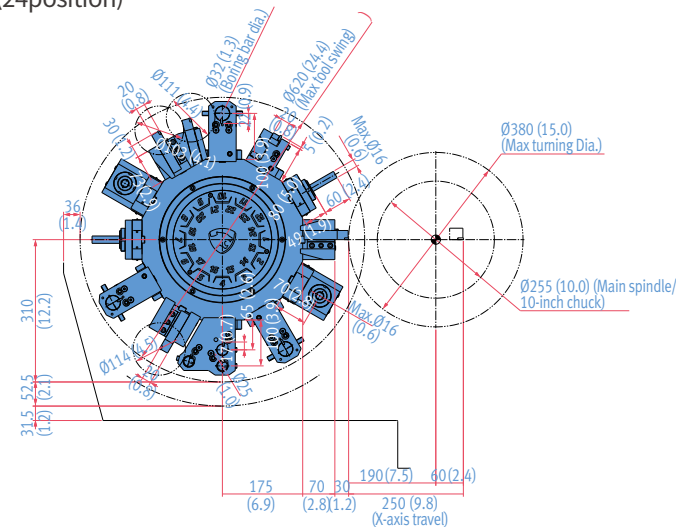
Unit : mm(inch)



16 station



12 station (24position)

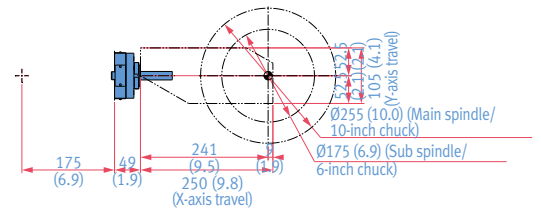
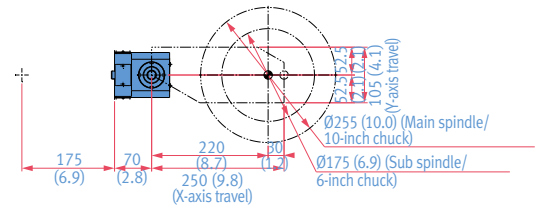
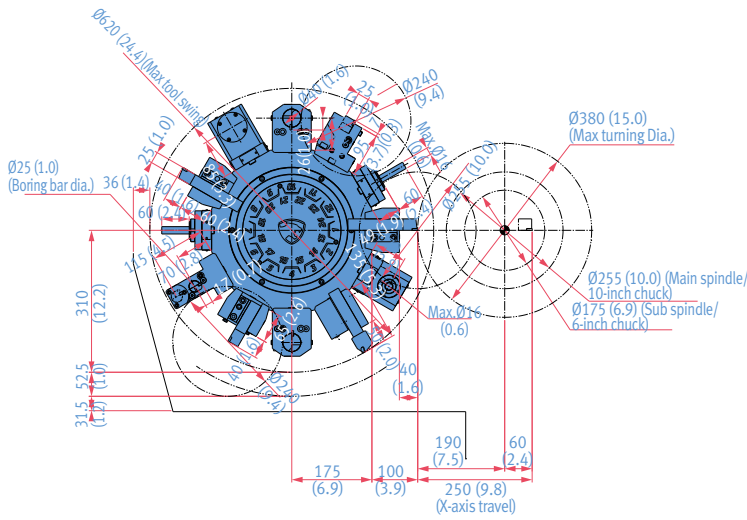


TOOL INTERFACE

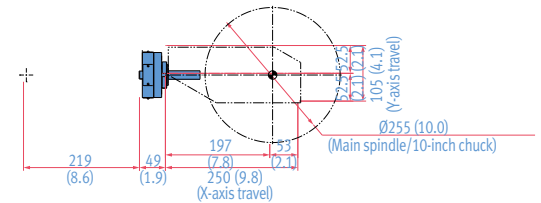
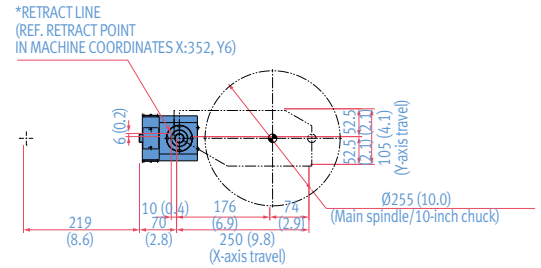
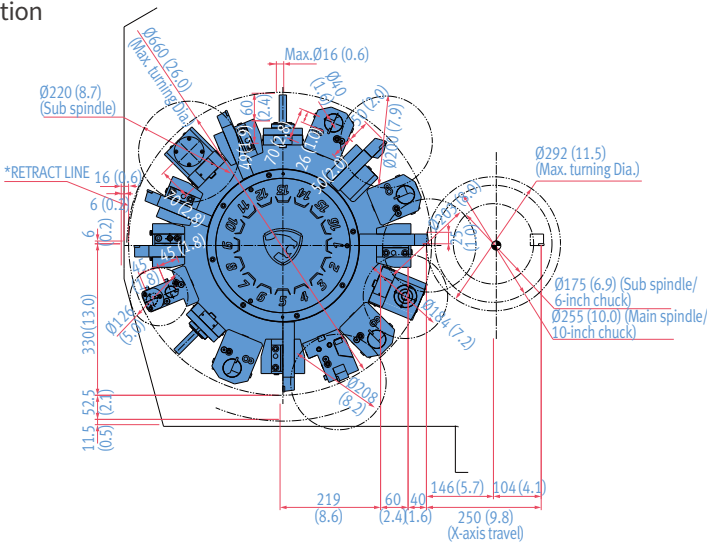
Lynx 2600SY

12 station

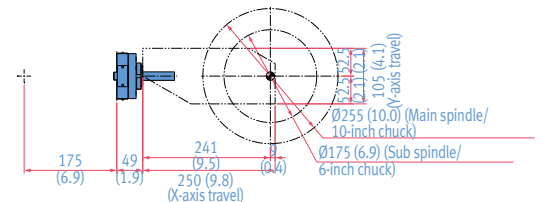
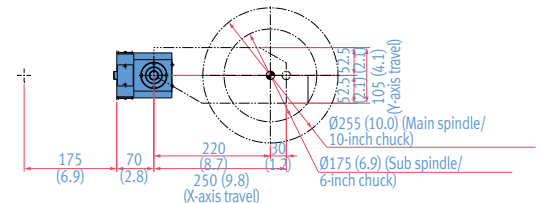
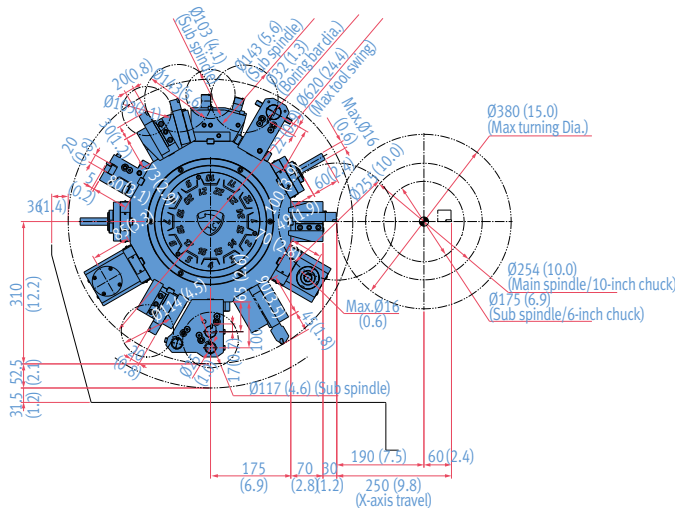
Unit : mm(inch)



16 station



12 station (24position)

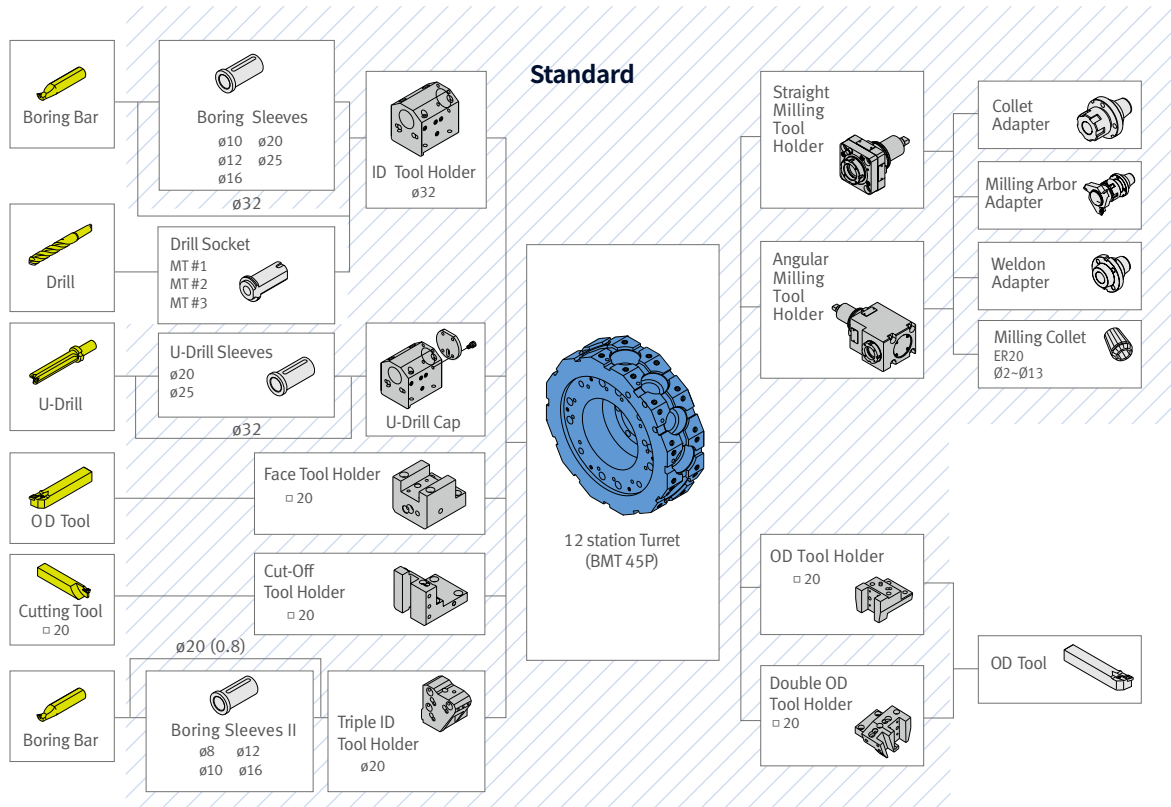


TOOLING SYSTEM

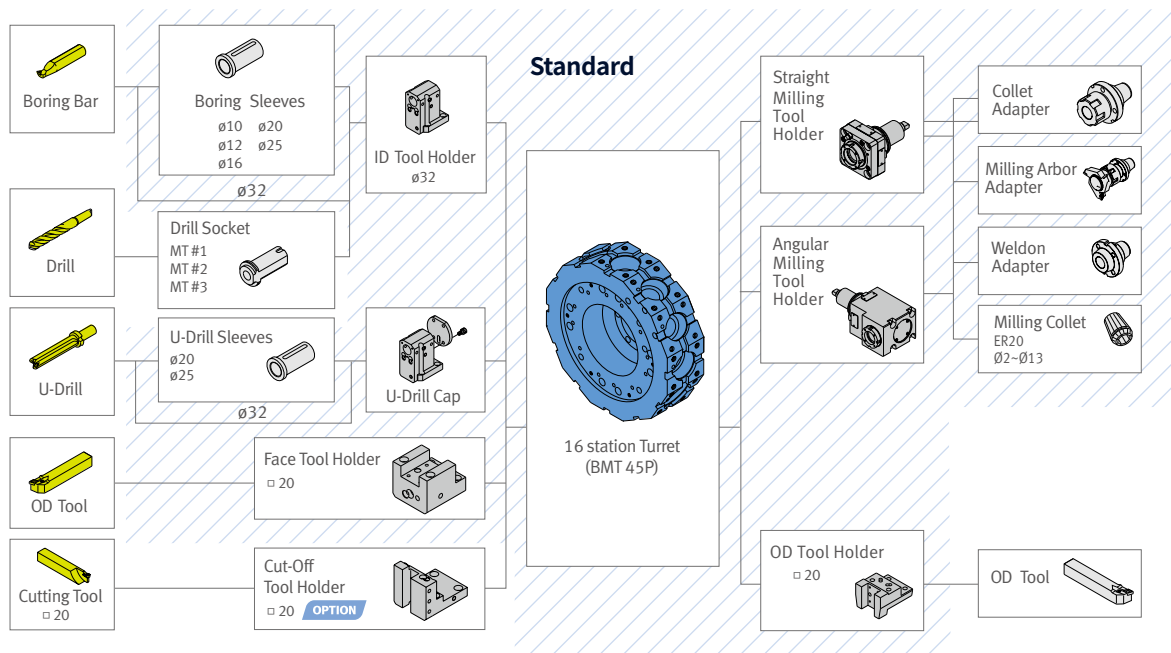
Lynx 2100LY

12 station

Unit : mm(inch)



16 station

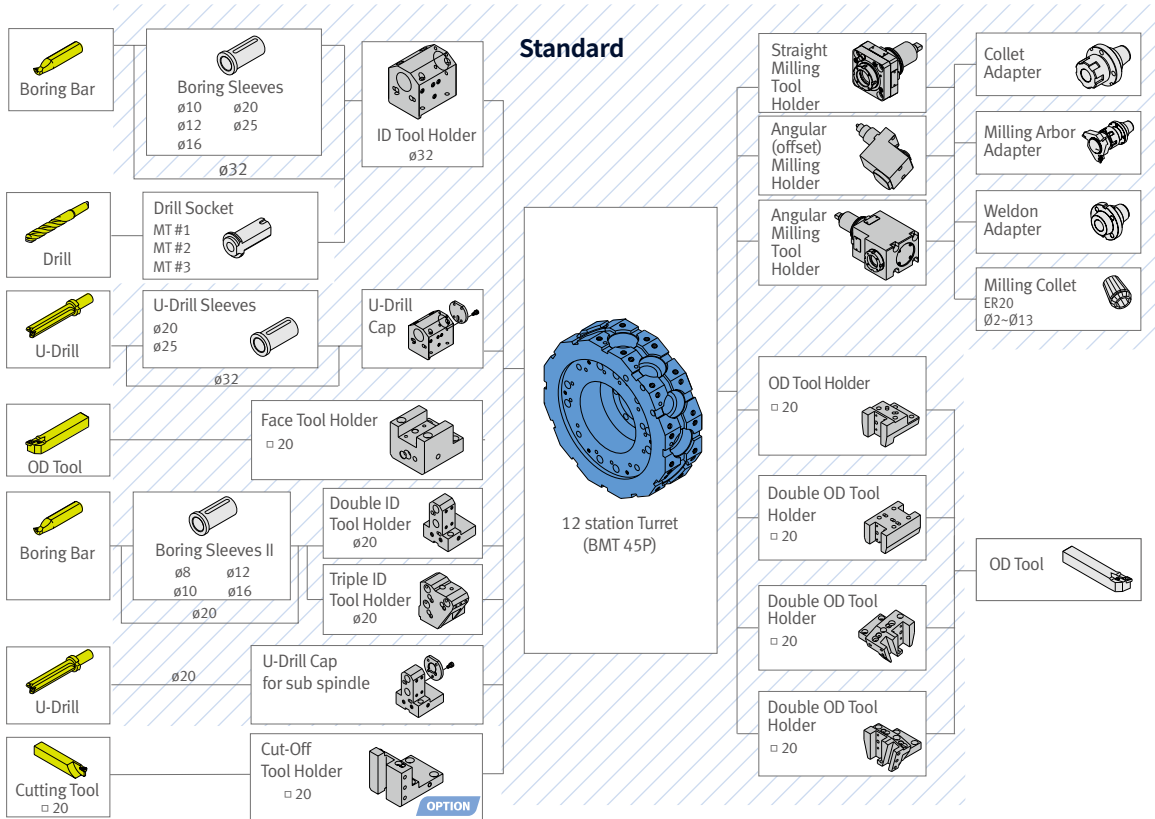


TOOLING SYSTEM

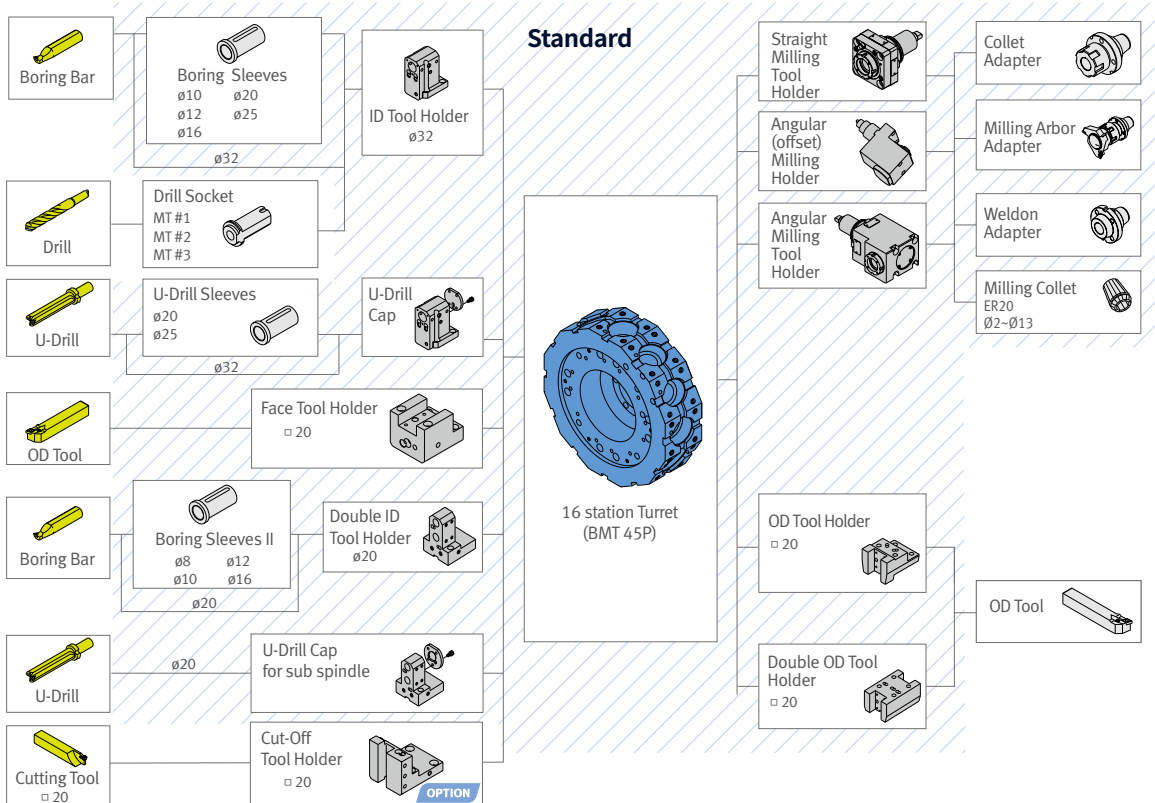
Lynx 2100LSY

12 station

Unit : mm(inch)



16 station

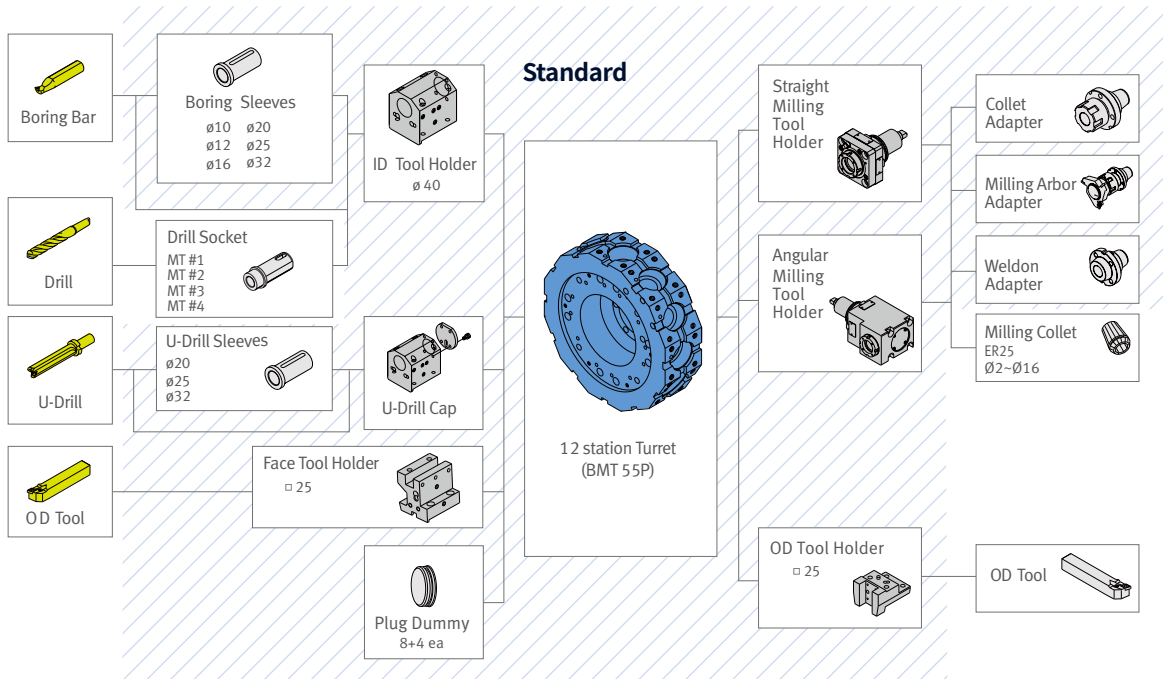


TOOLING SYSTEM

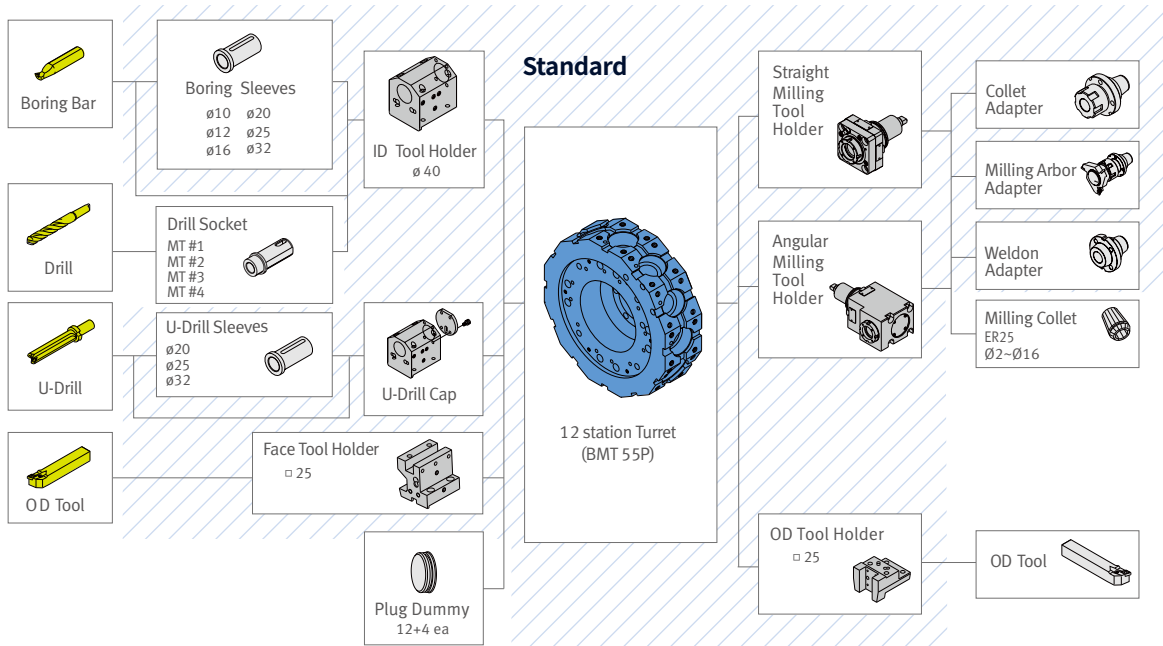
Lynx 2600Y

12 station

Unit : mm(inch)



16 station

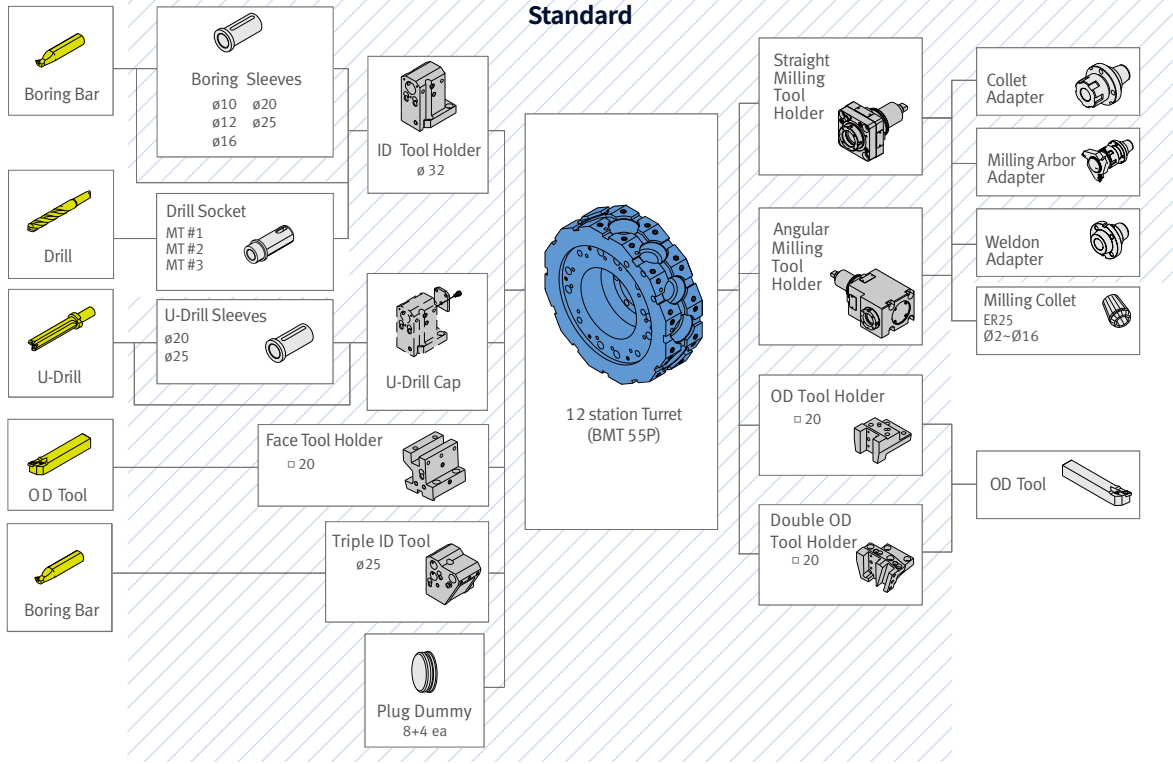


TOOLING SYSTEM

Lynx 2600Y

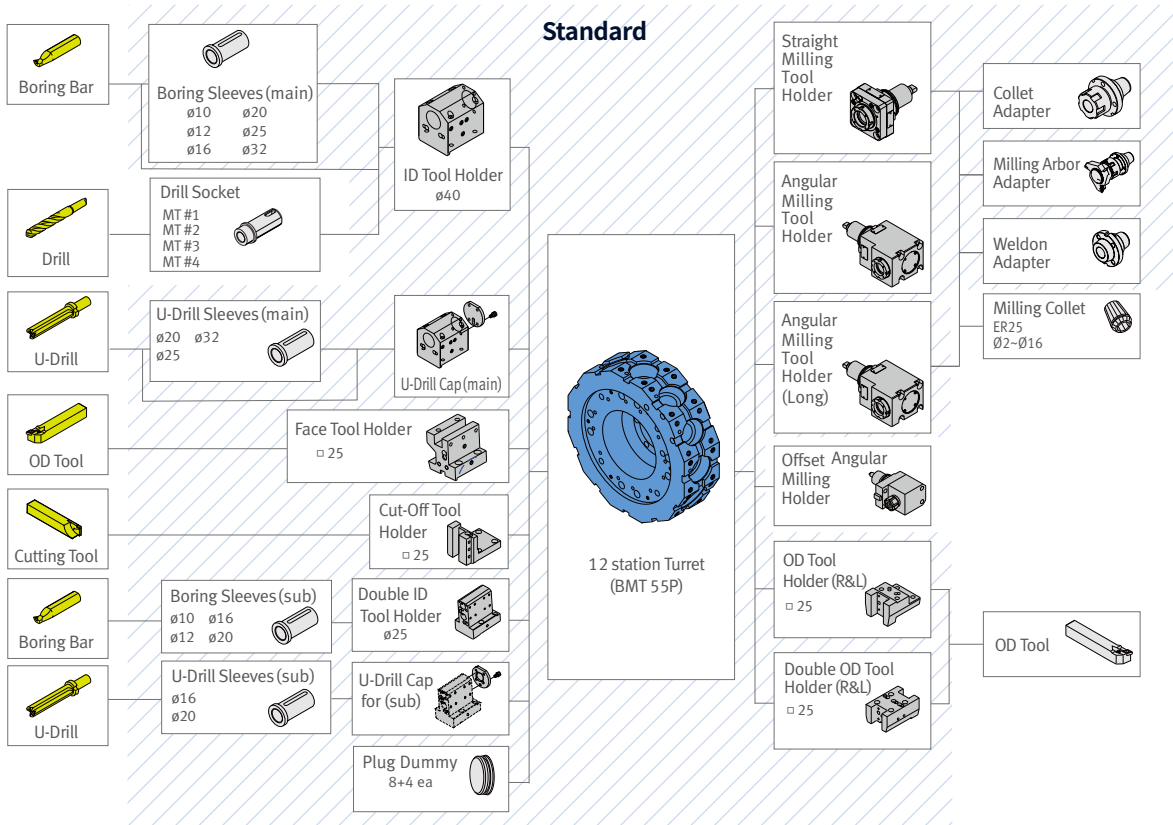
24 station

Unit : mm(inch)



Lynx 2600SY

12 station

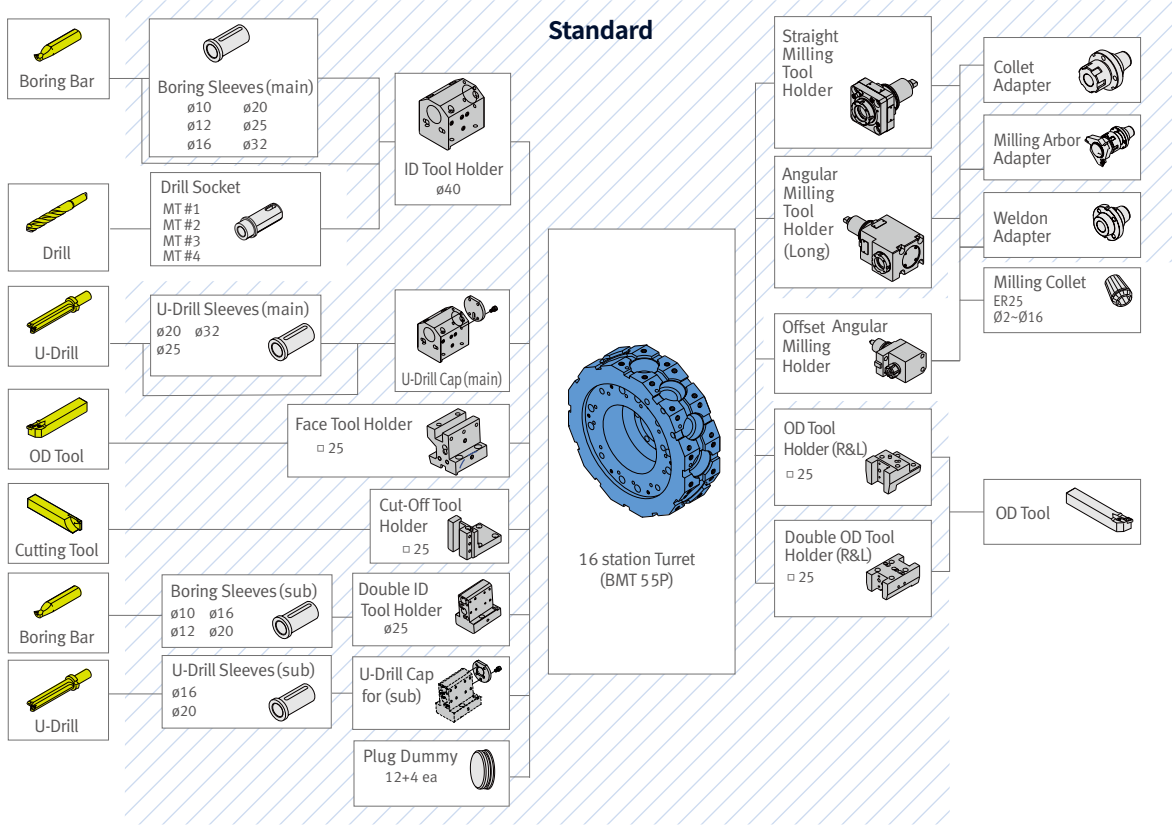


TOOLING SYSTEM

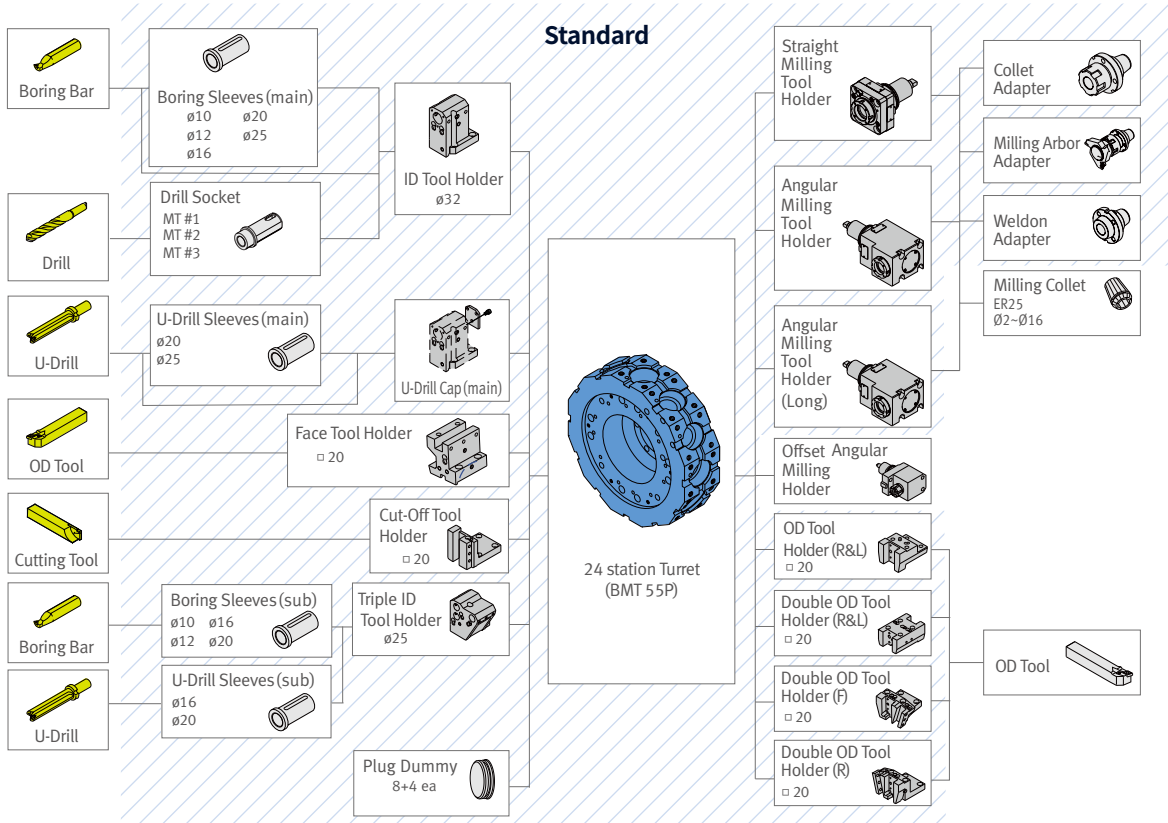
Lynx 2600SY

16 station

Unit : mm(inch)



24 station



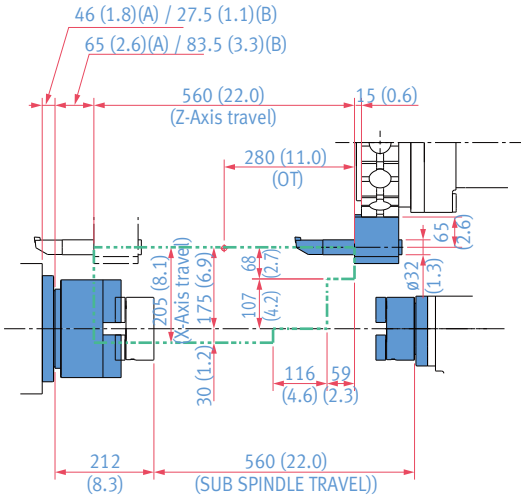
WORKING RANGE

Lynx 2100LSY

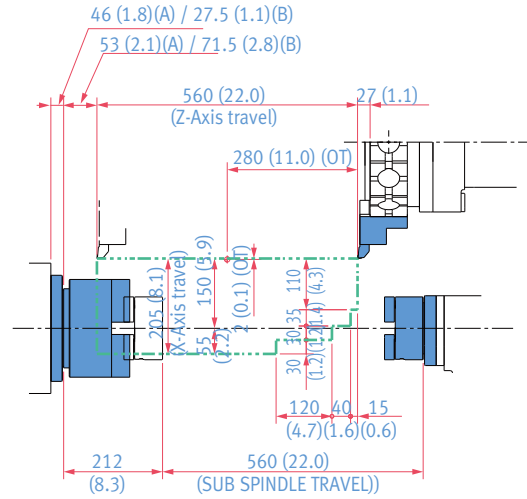
Unit : mm(inch)

(A) : 6 inch
(B) : 8 inch

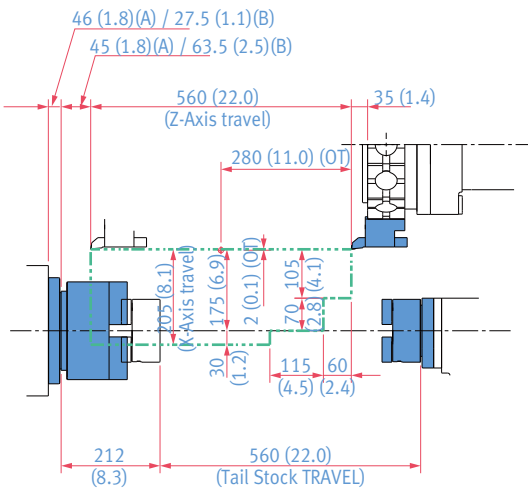
ID HOLDER



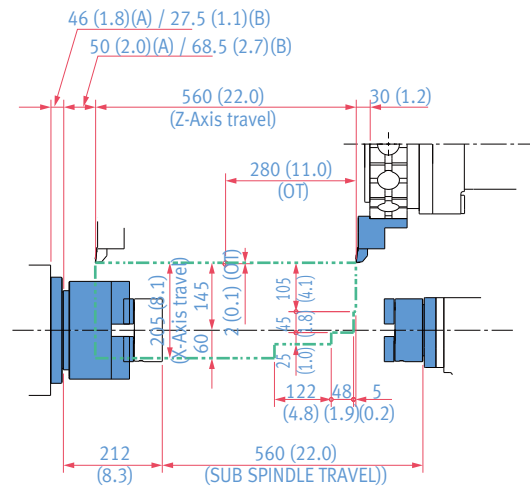
OD HOLDER



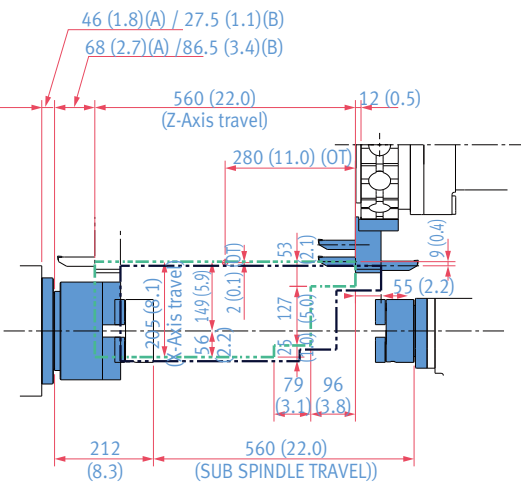
FACE TOOL HOLDER



DOUBLE OD HOLDER



TRIPLE ID HOLDER



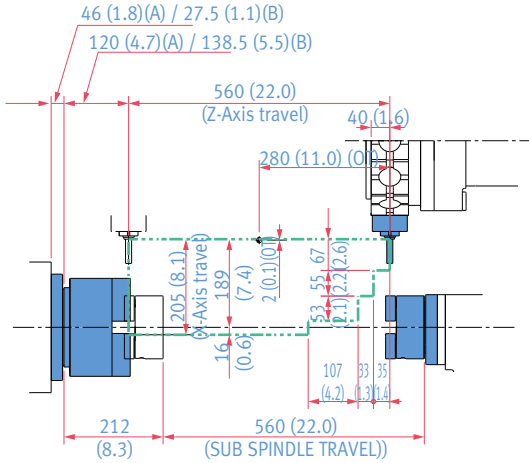
WORKING RANGE

Lynx 2100LSY

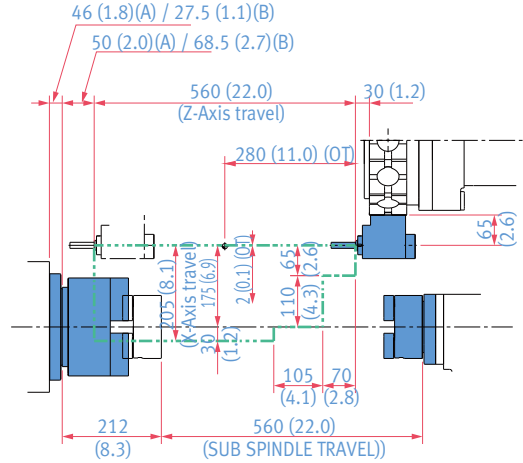
Unit : mm(inch)

(A) : 6 inch
(B) : 8 inch

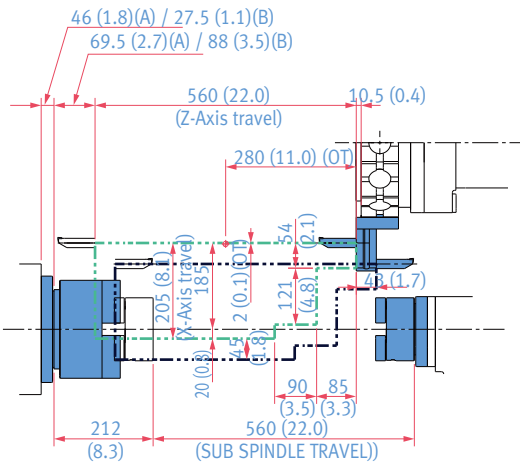
ID HOLDER



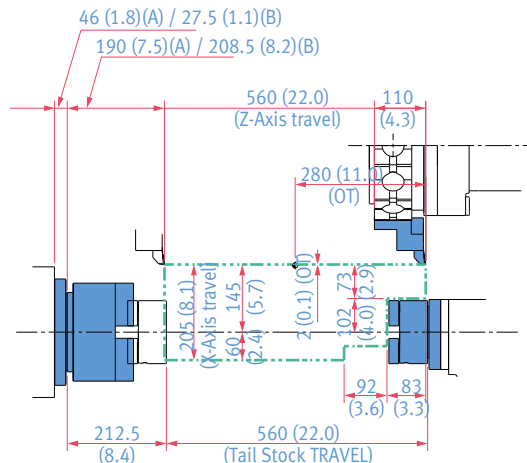
OD HOLDER



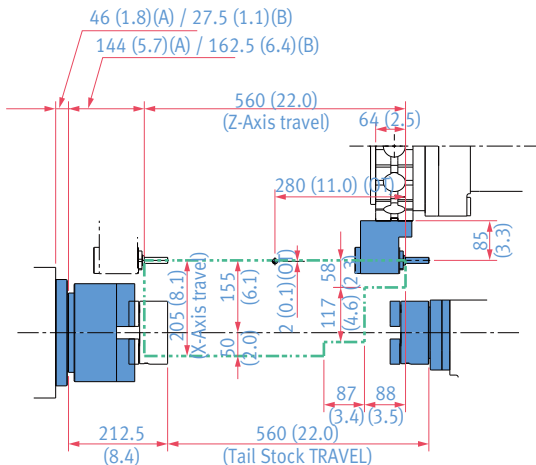
FACE TOOL HOLDER



DOUBLE OD HOLDER



TRIPLE ID HOLDER



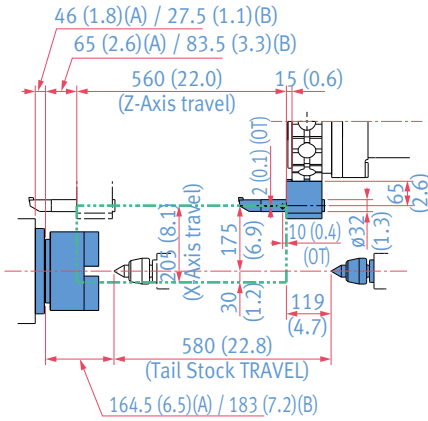
WORKING RANGE

Lynx 2100LY

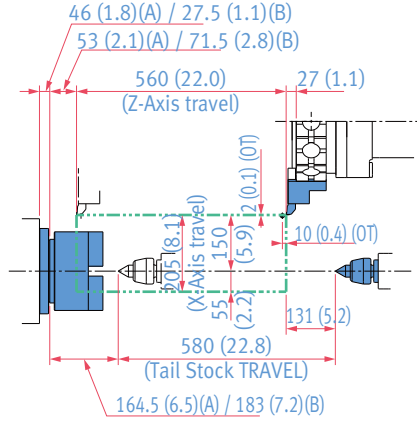
Unit : mm(inch)

(A) : 6 inch
(B) : 8 inch

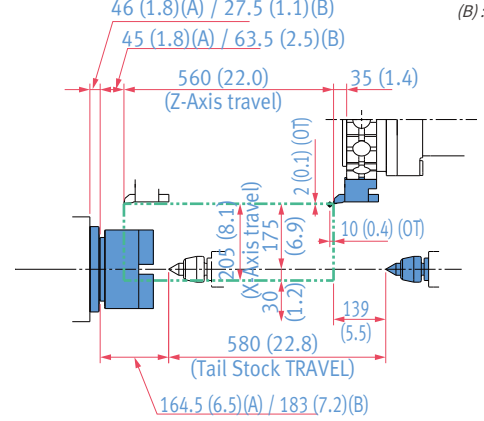
ID HOLDER



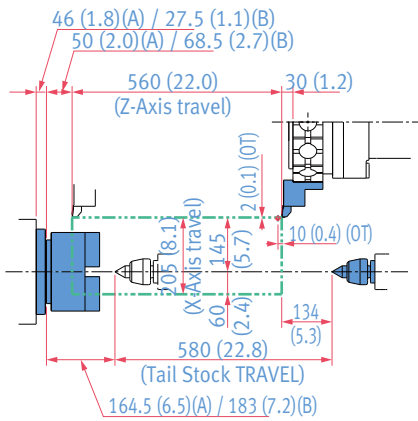
OD HOLDER



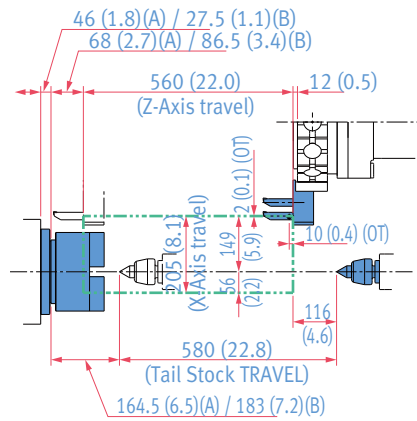
FACE TOOL HOLDER



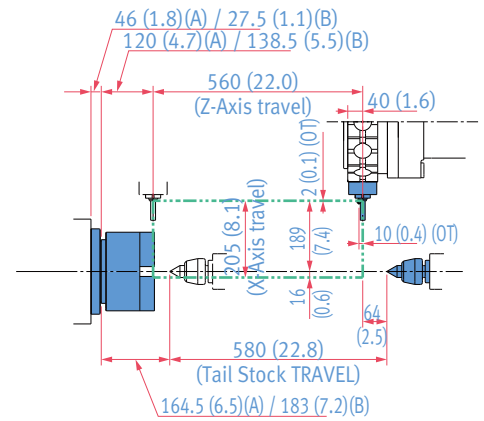
DOUBLE OD HOLDER



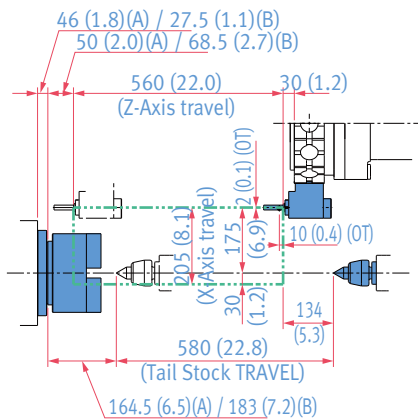
TRIPLE ID HOLDER



STRAIGHT MILLING HOLDER



ANGULAR MILLING HOLDER

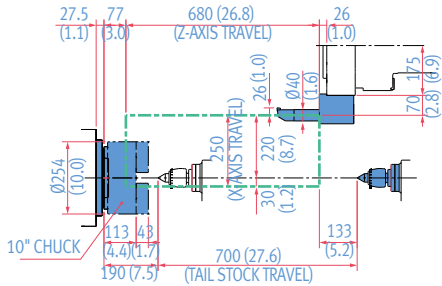


WORKING RANGE

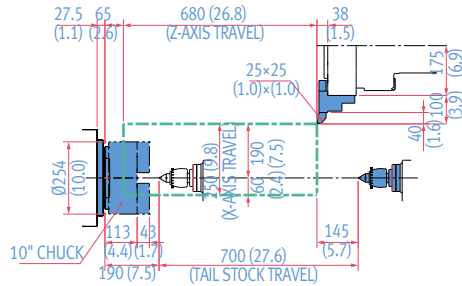
Lynx 2600Y_12 station

Unit : mm(inch)

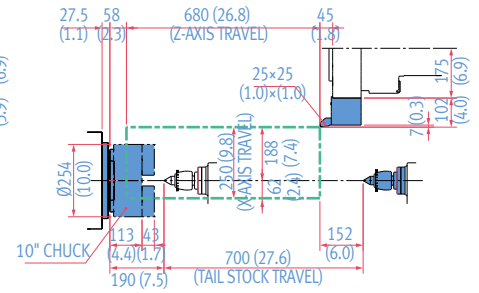
ID HOLDER



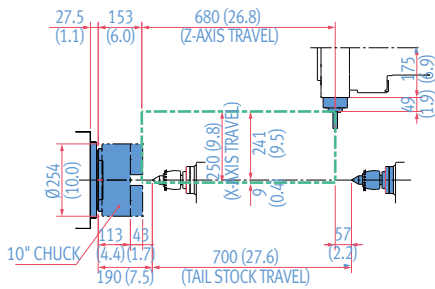
OD HOLDER



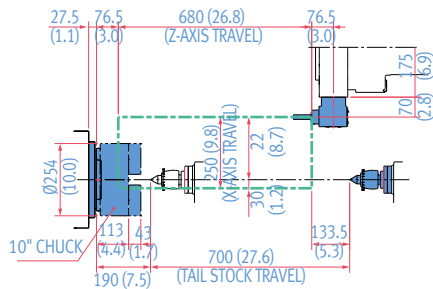
FACE HOLDER



STRAIGHT MILLING HOLDER

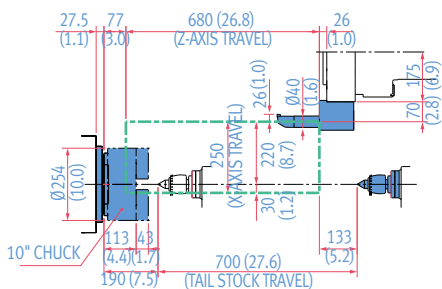


ANGULAR MILLING HOLDER (MAIN)

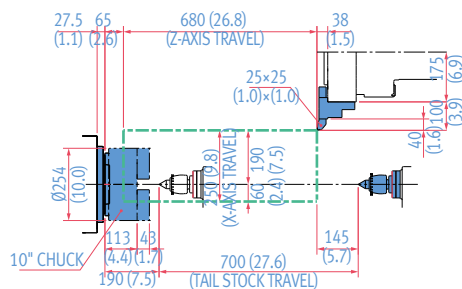


Lynx 2600Y_16 station

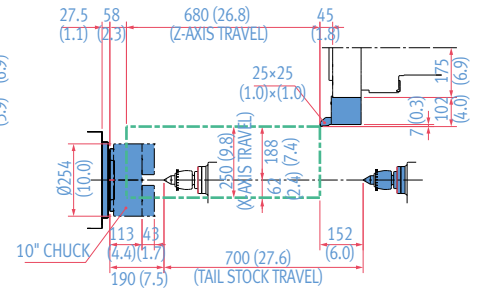
ID HOLDER



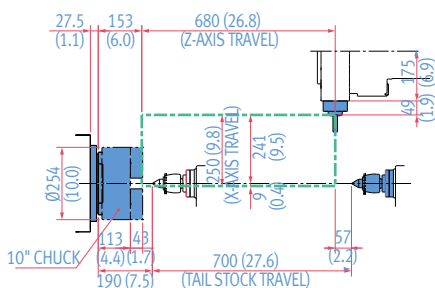
OD HOLDER



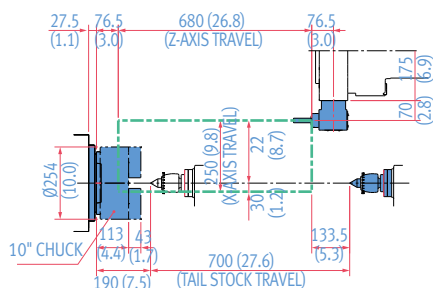
FACE HOLDER



STRAIGHT MILLING HOLDER



ANGULAR MILLING HOLDER (MAIN)

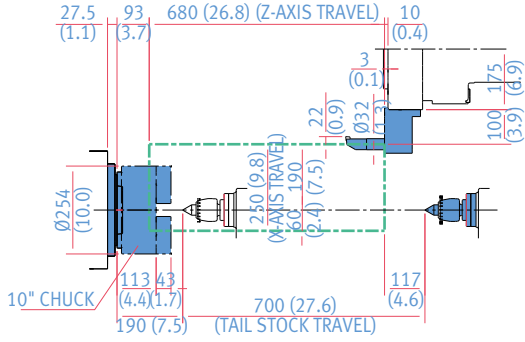


WORKING RANGE

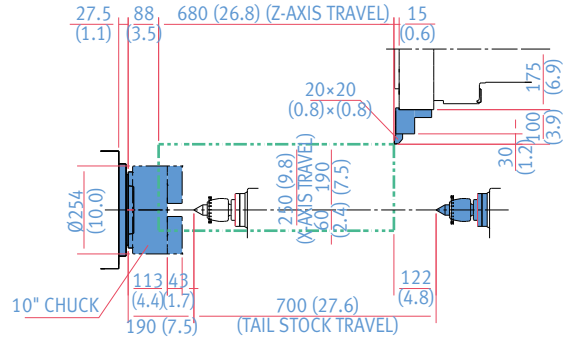
Lynx 2600Y_24st. Indexing

Unit : mm(inch)

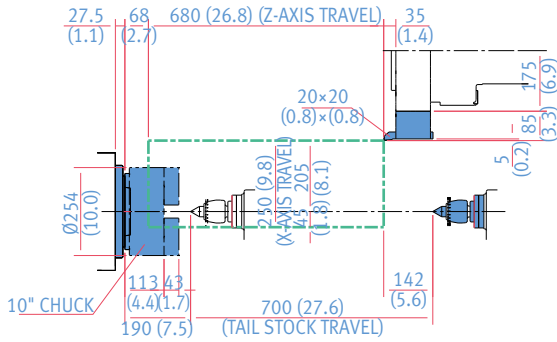
ID HOLDER



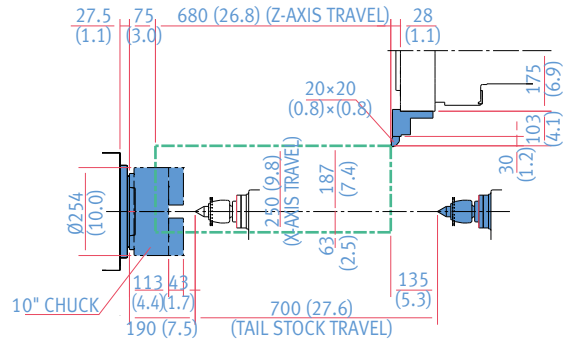
OD HOLDER



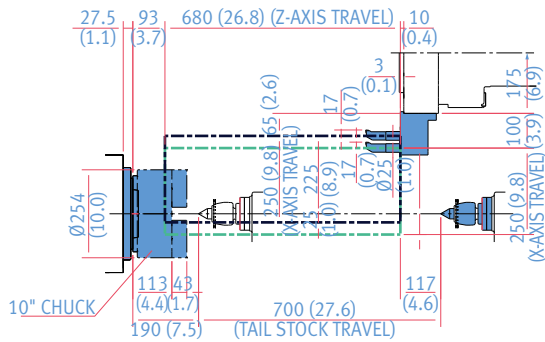
FACE HOLDER



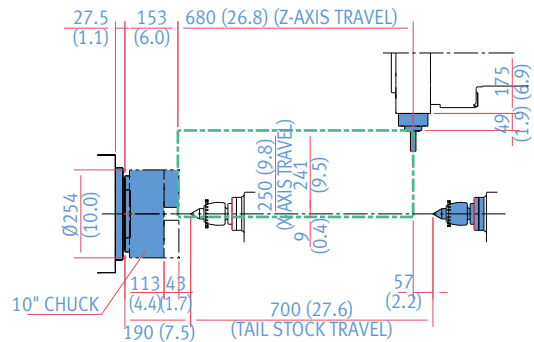
DOUBLE OD-F HOLDER



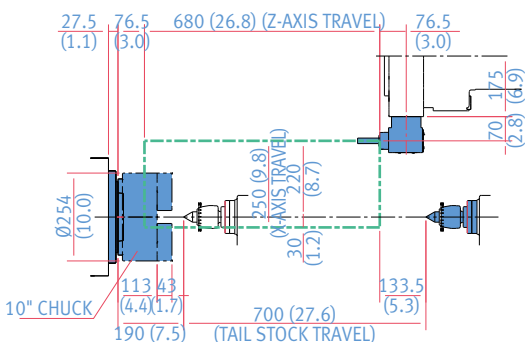
TRIPLE ID HOLDER



STRAIGHT MILLING HOLDER



ANGULAR MILLING HOLDER (MAIN)

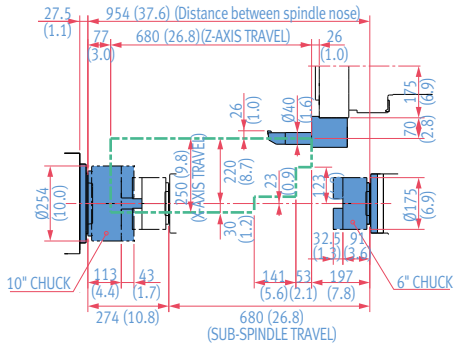


WORKING RANGE

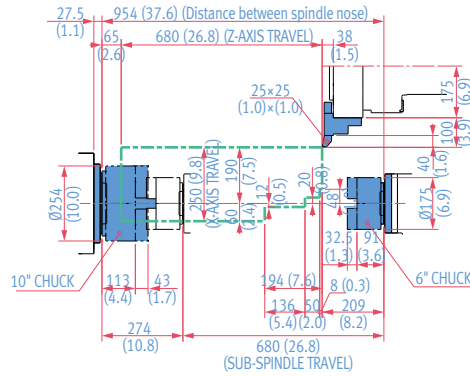
Lynx 2600SY_12 station

Unit : mm(inch)

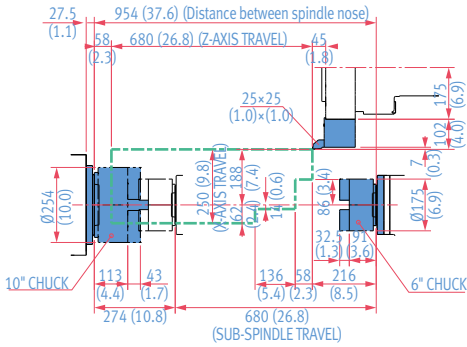
ID HOLDER



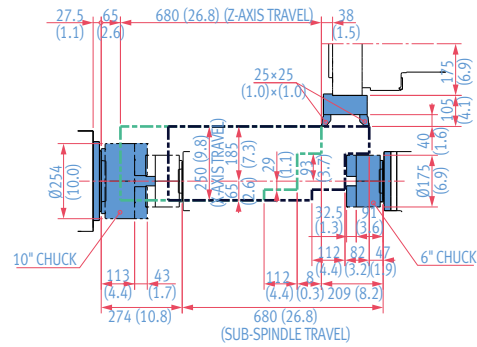
OD HOLDER



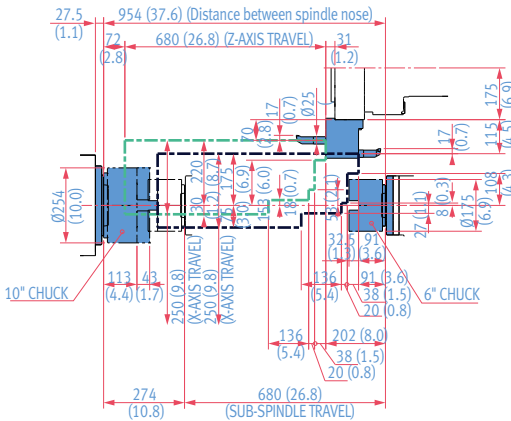
FACE HOLDER



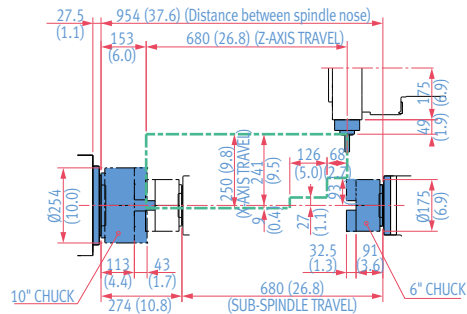
DOUBLE OD-B HOLDER



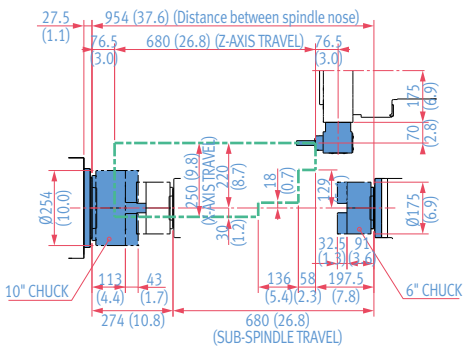
DOUBLE ID HOLDER



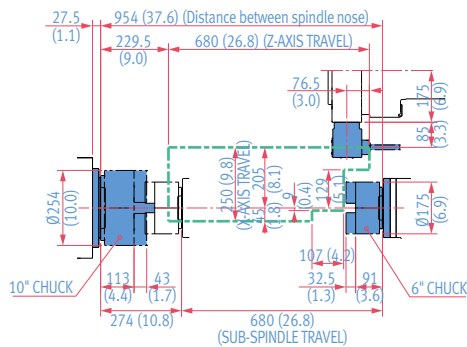
STRAIGHT MILLING HOLDER



ANGULAR MILLING HOLDER (MAIN)



ANGULAR MILLING HOLDER (SUB)

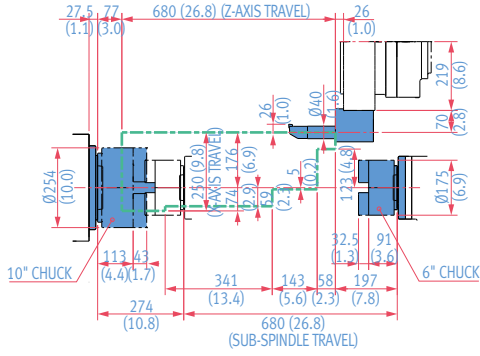


WORKING RANGE

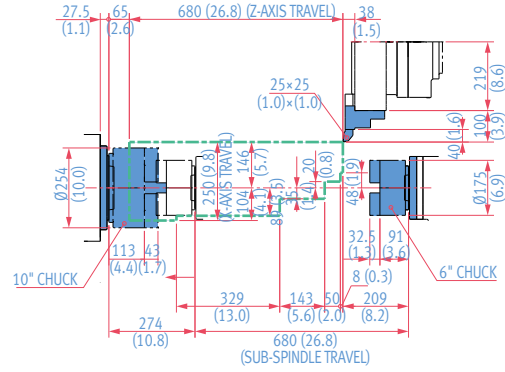
Lynx 2600SY_16 station

Unit : mm(inch)

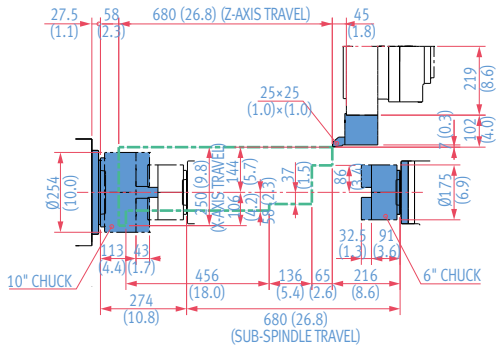
ID HOLDER



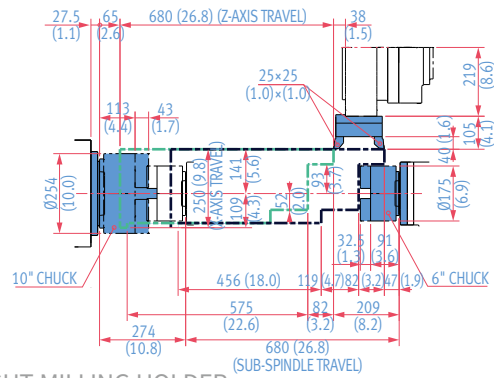
OD HOLDER



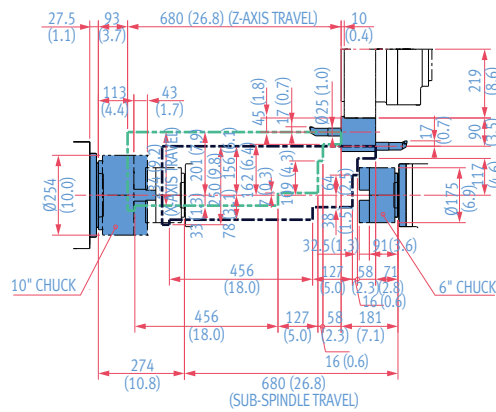
FACE HOLDER



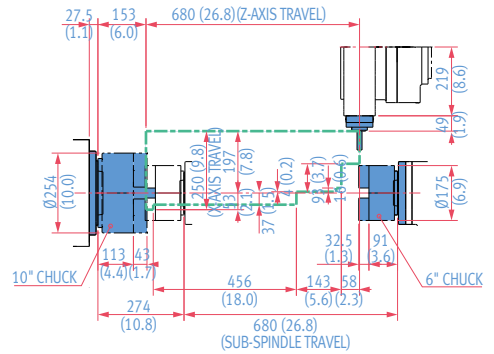
DOUBLE OD-B HOLDER



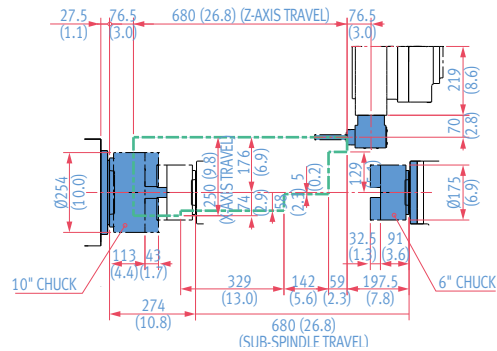
DOUBLE ID HOLDER



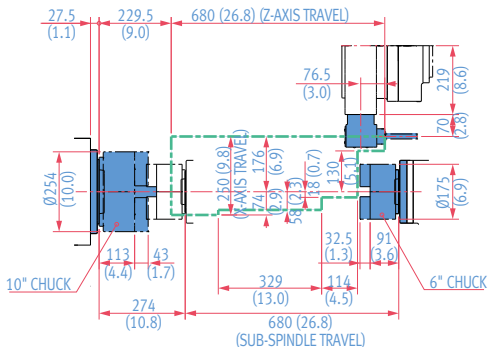
STRAIGHT MILLING HOLDER



ANGULAR MILLING HOLDER (MAIN)



ANGULAR MILLING HOLDER (SUB)



MACHINE SPECIFICATIONS

Lynx 2100LY · 2600Y series

Description		Unit	Lynx 2100LYA	Lynx 2100LYB	Lynx 2100LSYA	Lynx 2100LSYB	Lynx 2600Y	Lynx 2600SY
Capacity	Swing over bed	mm (inch)	600 (23.6)				630 (24.8)	
	Swing over saddle	mm (inch)	400 (15.7)				460 (18.1)	
	Recom. Turning diameter	mm (inch)	170 (6.7)	210 (8.3)	170 (6.7)	210 (8.3)	255 (10.0)	
	Max. Turning diameter	mm (inch)	300 {236} (11.8 {9.3})				380 (15.0)	
	Max. Turning length	mm (inch)	510 (20.1)				610 (24.0)	
	Chuck size	inch	6 {8}*	8 {10}*	6 {8}*	8 {10}*	10 {12}*	
	Bar working diameter	mm (inch)	51 (2.0)	65 (2.6)	51 (2.0)	65 (2.6)	81 (3.2)	
Travels	Travel distance	X-axis	205 (8.1)				250 (9.8)	
		Y-axis	105 (±52.5) (4.1 (±2.1))				105 (±52.5) (4.1 (±2.1))	
		Z-axis	560 (22.0)				680 (26.8)	
Feedrates	Rapid Traverse Rate	X-axis	30 (1181.1)				30 (1181.1)	
		Y-axis	10 (393.7)				10 (393.7)	
		Z-axis	36 (1417.3)				30 (1181.1)	
Spindle	Max. Spindle speed	r/min	6000	4500	6000	4500	3500	
	Main spindle motor power (15min/Con.)(FANUC)	kW (Hp)	15/11 (20.1/14.8) (15min/Cont.)				18.5/15/15 (S6 25%/S6 40%/Cont.)	
	Main spindle motor power (S6-60%/ Cont.) (SIEMENS)	kW (Hp)	12.6/10.5 (16.9/14.1) (S6 60%/Cont.)				**need tech. consultation	
	Max. Spindle Torque for Turning (FANUC)	N·m (ft-lbs)	127 (93.7)	169 (124.7)	127 (93.7)	169 (124.7)	403 (297.4)	
	Max. Spindle Torque for Turning (SIEMENS)	N·m (ft-lbs)	100.8 (74.4)	134.4 (99.2)	100.8 (74.4)	134.4 (99.2)	**need tech. consultation	
	Spindle nose	ASA	A2-5	A2-6	A2-5	A2-6	A2-8	
	Spindle bearing diameter (Front)	mm (inch)	90 (3.5)	110 (4.3)	90 (3.5)	110 (4.3)	130 (5.1)	
	Spindle through hole diameter	mm (inch)	61 (2.4)	76 (3.0)	61 (2.4)	76 (3.0)	91 (3.6)	
Min. spindle Indexing angle (C-axis)	deg	0.001						
Turret	No. of tool stations	ea	12 {24positin index}* {16}*					
	OD tool size	mm (inch)	20 x 20 (0.75 x 0.75)				25 x 25 (1.0 x 1.0)	
	Max. boring bar size	mm (inch)	Ø32 (Ø1.3)				Ø40 (Ø1.6)	
	Turret Indexing time (1 station swivel)	sec	0.11				0.15	
	Max. Rotary tool speed	r/min	6000 {10000}*				5000	
	Rotary tool motor power (FANUC)	kW (Hp)	3.7 (5.0)				5.5 (7.4)	
	Rotary tool motor power (SIEMENS)	kW (Hp)	7.79 (10.4)				**need tech. consultation	
Tailstock	Tailstock travel	mm (inch)	580 (22.8)	-	-	-	700 (27.6)	-
	Quill bore taper	MT	MT#4	-	-	-	MT#4	-
Sub spindle	Chuck size	inch	-	-	5	-	-	6
	Max. Spindle speed	r/min	-	-	6000	-	-	4500
	Main spindle motor power (FANUC)	kW (Hp)	-	-	5.5/3.7 (7.4/5.0) (30min/Cont.)	-	-	7.5/5.5/5.5 (S6 25%/S6 40%/Cont.)
	Main spindle motor power (SIEMENS)	kW (Hp)	-	-	8.3/7 (11.1/9.4) (S6 60%/Cont.)	-	-	**need tech. consultation
	Max. Spindle Torque for Turning (FANUC)	N·m (ft-lbs)	-	-	46 (33.9)	-	-	84 (62.0)
	Max. Spindle Torque for Turning (SIEMENS)	N·m (ft-lbs)	-	-	61 (45.0)	-	-	**need tech. consultation
	Spindle nose	-	-	-	Flat Ø110	-	-	A2-5
	Spindle bearing diameter (Front)	mm (inch)	-	-	75 (3.0)	-	-	90 (3.5)
	Spindle through hole diameter	mm (inch)	-	-	43 (1.7)	-	-	61 (2.4)
Min. spindle Indexing angle (C-axis)	deg	-	-	0.001	-	-	0.001	
Power source	Electric power supply (FANUC / SIEMENS)	kVA	27.80 / 28.11		33.66 / 37.43		28.20 / 40.71	34.24 / 50.14
Machine Dimensions	Length	mm (inch)	2880 (113.4)				3425 (134.8)	
	Width	mm (inch)	1711 (67.4)				1920 (75.6)	
	Height	mm (inch)	1921 (75.6)				2095 (82.5)	
	Weight	kg (lb)	3850 (8487.7)	3900 (8597.9)	4150 (9149.0)	4200 (9259.3)	5750 (12676.4)	6000 (13227.5)
CNC	NC system	DN Solutions Fanuc i Plus, SIEMENS S828D						

*{}: option

RESPONDING TO CUSTOMERS ANYTIME, ANYWHERE

DN Solutions Global Network

DN Solutions provides systems-based professional support services, before and after the machine tool sale, by responding quickly and efficiently to customers. By supplying spare parts, product training, field service and technical support, we provide the expert care, attention and assistance our customers expect from a market leader.

Global sales and service support network		51	Technical centers Technical center, Sales support, Service support, Parts support
4	Corporations	200	Service posts
156	Dealer networks	3	Factories



CUSTOMER SUPPORT AND SERVICES

We're there for you whenever you need us.

We help our customers operate at maximum efficiency by providing them with a range of tried, tested and trusted services - from pre-sales consultancy to post-sales support.



Field services

- On-site service
- Machine installation and testing
- Scheduled preventive maintenance
- Machine repair service



Parts supply

- Supplying a wide range of original DN Solutions spare parts
- Parts repair service



Training

- Programming, machine setup and operation
- Electrical and mechanical maintenance
- Applications engineering



Technical support

- Supports machining methods and technology
- Responds to technical queries
- Provides technical consultancy



dn-solutions.com

Head Office

22F T Tower, 30, Sowol-ro 2-gil
Jung-gu, Seoul, Korea, 04637

Tel: +82-2-6972-0370/0350
Fax: +82-2-6972-0400

DN Solutions America

19A Chapin Road, Pine Brook
New Jersey 07058, United States

Tel: +1-973-618-2500
Fax: +1-973-618-2501

DN Solutions Europe

Emdener Strasse 24, D-41540
Dormagen, Germany

Tel: +49-2133-5067-100
Fax: +49-2133-5067-111

DN Solutions India

No.82, Jakkuar Village
Yelahanka Hobli, Bangalore-560064

Tel: + 91-80-2205-6900
E-mail: india@dncompany.com

DN Solutions China

Room 101,201,301, Building 39 Xinzhuan
Highway No.258 Songjiang District
China Shanghai (201612)

Tel: +86 21-5445-1155
Fax: +86 21-6405-1472

Sales inquiry

sales@dncompany.com

* For more details, please contact DN Solutions.

* Specifications and information contained within this catalogue may be changed without prior notice.